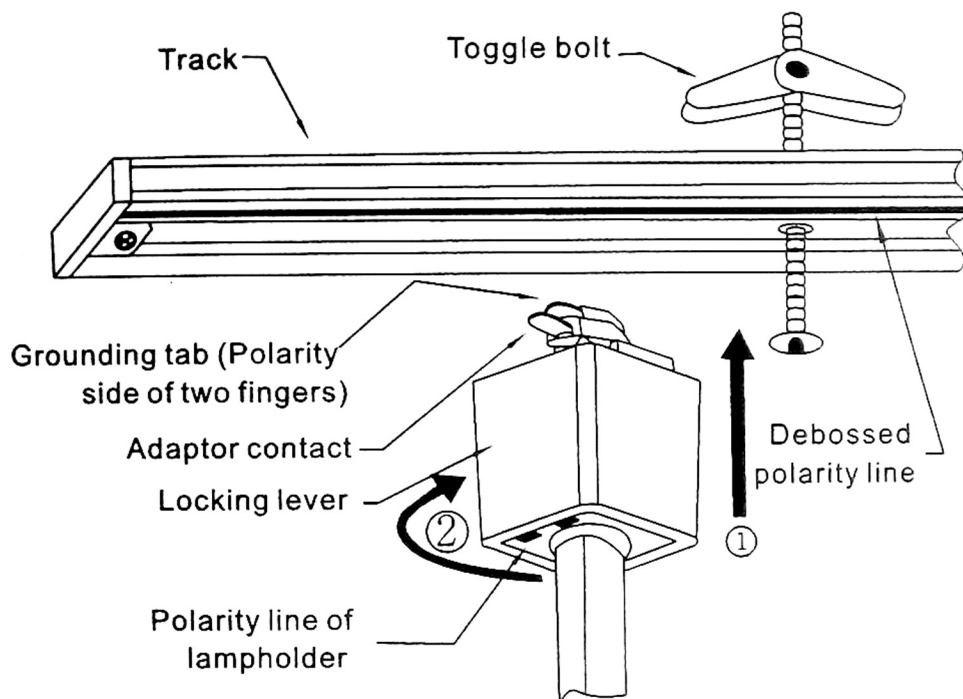


Assembly Instruction for 92305&92310&92315&92320

1. Place track over outlet box and mark position of track mounting holes on ceiling or wall. On wallboard or plaster, drill "5/8" mounting holes.
2. Plain underside of track faces ceiling or wall and slotted side of track faces out to accept lights.
3. Install track to ceiling or wall using toggle bolts (furnished). On wood surfaces use standard #10 wood screws (not furnished).

CAUTION-Turn off switch at main power source before installing any track or fitting.

1. Pull down the locking lever and insert "Adaptor contact" into the slot in the track.
2. Rotate adaptor 1/4 turn 90° to locked position. **NOTE:** Polarity line of lampholder (Grounding tab, polarity side of two fingers) must point to track debossed polarity line so that the debossed polarity line of the track can be aligned with the polarity line (side) of adaptor.
3. To remove, depress the locking lever and turn 90°



CAUTION-Turn off s witch at main power source before installing any track or fitting.

1. Fasten mounting strap to outlet box. Connect ground wire.
 2. Locate track below outlet box in desire position then:
 - a) Rotate ground clip to accept track and push track into clip.
 - b) Fasten track to ceiling following instructions supplied with the track section.
 - c) Track ends must be terminated with either a dead end or a connector.
 3. Insert electrical adaptor White wire into track, rotate 90° to locked position to make electrical contact. NOTE:
 - a) Polarity side of electrical adaptor (The side of grounding tab or marked "N") must point to track debossed polarity line.
 - b) Center line of electrical adaptor must be set on center line of outlet box.
 4. Pull positive (Black) wire from outlet box and attach to brass screw terminal marked "P". Pull neutral (White) wire, on opposite of track, and attach to nickel-plated screw terminal marked "N". Push excess wire back into outlet box - wire must hug track side.
- Install cover and secure with screw.

