



## Cavalier Installation Guide

For Model:  
**CAV52ABZ5LK**  
**CAV52PT5LK**

Table of Contents:

- Safety Tips. pg. 1
- Unpacking Your Fan. pg. 2
- Parts Inventory. pg. 2
- Installation Preparation. pg. 3
- Hanging Bracket Installation. pg. 3
- Fan Assembly. pgs. 4 - 5
- Wiring. pgs. 5 - 6
- Canopy Assembly. pg. 6
- Rod Support Assembly. pg. 6
- Blade Assembly. pg. 7
- Light Kit Assembly. pg. 7
- Handheld Remote Control  
Assembly. pg. 8
- Automated Learning Process./  
Activating Code. pg. 9
- Remote Control Operation. pg. 9
- Testing Your Fan. pg. 9
- Troubleshooting. pg. 10
- Warranty. pg. 10
- Parts Replacement. pg. 10



LISTED FOR  
DAMP LOCATION

**Intertek**

net weight of fan: 29.7 lb (13.47 kg)

## SAFETY TIPS.

**WARNING:** To reduce the risk of electrical shock, turn off the electricity to the fan at the main fuse box or circuit panel before you begin the fan installation or before servicing the fan or installing accessories.

1. **READ ALL INSTRUCTIONS AND SAFETY INFORMATION CAREFULLY BEFORE INSTALLING YOUR FAN AND SAVE THESE INSTRUCTIONS.**

**CAUTION:** To avoid personal injury, the use of gloves may be necessary while handling fan parts with sharp edges.

2. Make sure all electrical connections comply with Local Codes or Ordinances, the National Electrical Code, and ANSI/NFPA 70-1999. If you are unfamiliar with electrical wiring or if the house/building wires are different colors than those referred to in the instructions, please use a qualified electrician.
3. Make sure you have a location selected for your fan that allows clear space for the blades to rotate, and at least seven (7) feet (2.13 meters) of clearance between the floor and the fan blade tips. The fan should be mounted so that the tips of the blades are at least thirty (30) inches (76 centimeters) from walls or other upright structures.
4. The outlet box and ceiling support joist used must be securely mounted and capable of supporting at least 35 pounds (16 kilograms). The outlet box must be supported directly by the building structure. Use only CETL or CUL in Canada or ETL or UL in USA listed outlet boxes marked "FOR FAN SUPPORT."

**WARNING:** To reduce the risk of fire, electrical shock, or personal injury, mount to the outlet box marked "Acceptable for Fan Support of 15.9 kg (35 lb) or less," and use the mounting screws provided with the outlet box. Most outlet boxes commonly used for the support of lighting fixtures are not acceptable for fan support and may need to be replaced. Consult a qualified electrician if in doubt.

**WARNING:** To reduce the risk of fire, electrical shock, or personal injury, wire connectors provided with this fan are designed to accept only one 12 gauge house wire and two lead wires from the fan. If your house wire is larger than 12 gauge or there is more than one house wire to connect to the corresponding fan lead wires, consult an electrician for the proper size wire connectors to use.

**WARNING:** If using this fan in a DAMP location, this fan must be connected to a supply circuit that is protected by a Ground Fault Circuit Interrupter (GFCI) to reduce the risk of personal injury, electrical shock or death.

5. Electrical diagrams are for reference only. Light kits that are not packed with the fan must be CETL or CUL in Canada or ETL or UL in USA listed and marked suitable for use with the model fan you are installing. Switches must be CETL or CUL in Canada or ETL or UL in USA general use switches. Refer to the instructions packaged with the light kits and switches for proper assembly.
6. After installation is complete, check that all connections are absolutely secure.
7. After making electrical connections, spliced conductors should be turned upward and pushed carefully up into the outlet box. The wires should be spread apart with the grounded conductor and the equipment-grounding conductor on opposite sides of the outlet box.

**WARNING:** To reduce the risk of fire or electrical shock, do not use this fan with any solid state speed control device or control fan speed with a full range dimmer switch. [Using a full range dimmer switch to control fan speed will cause a loud humming noise from fan.]

8. Do not operate the reverse switch until fan has come to a complete stop.
9. Do not insert anything between the fan blades while they are rotating.

**WARNING:** To reduce the risk of personal injury, do not bend the blade arms during assembly or after installation. Do not insert objects into the path of the blades.

**WARNING:** To avoid personal injury or damage to the fan and other items, be cautious when working around or cleaning the fan.

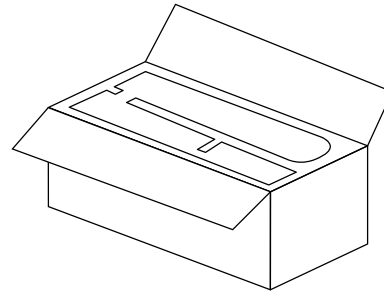
10. Do not use water or detergents when cleaning the fan or fan blades. A dry dust cloth or lightly dampened cloth will be suitable for most cleaning.

**WARNING:** To reduce the risk of personal injury, use **only** parts provided with this fan. **The use of parts OTHER than those provided with this fan will void the warranty.**

**NOTE:** The important safety precautions and instructions appearing in the manual are not meant to cover all possible conditions and situations that may occur. It must be understood that common sense and caution are necessary factors in the installation and operation of this fan.

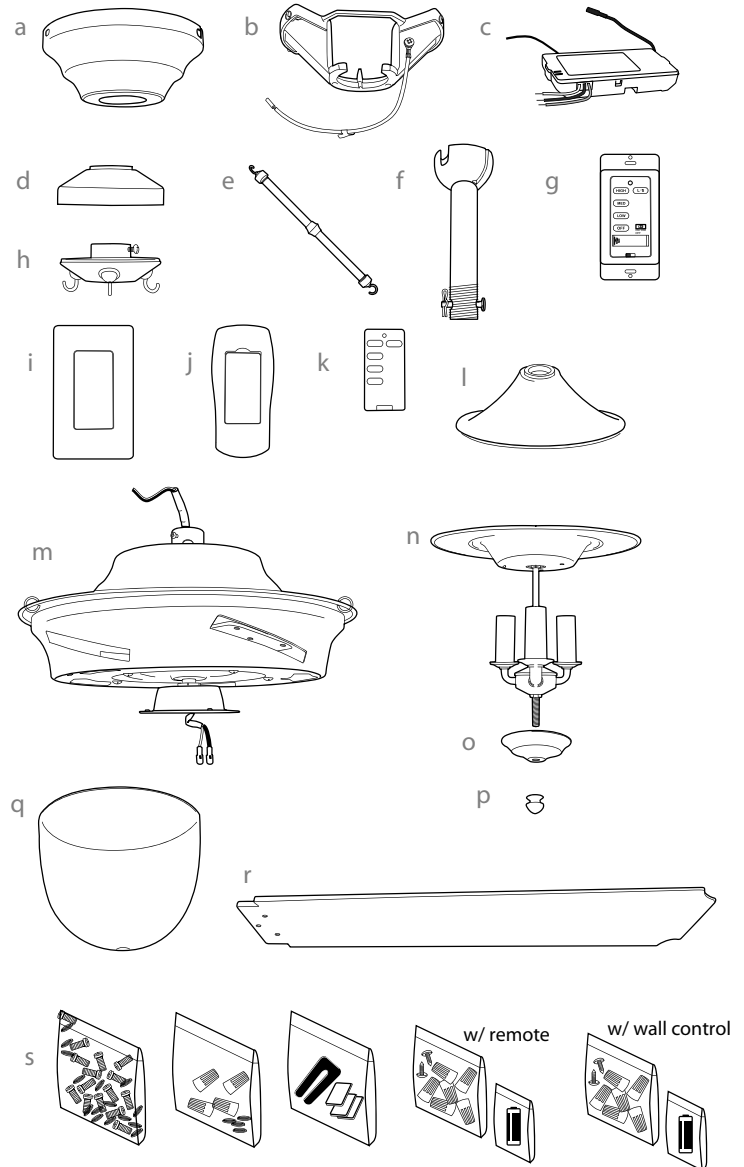
# 1. Unpacking Your Fan.


Carefully open the packaging. Remove items from Styrofoam inserts. Remove motor housing and place on carpet or Styrofoam to avoid damage to finish. Do not discard fan carton or Styrofoam inserts should this fan need to be returned for repairs. Check against parts inventory that all parts have been included.



## 2. Parts Inventory.

- a.** canopy. 1 piece
- b.** hanging bracket (pre-attached to canopy). 1 piece
- c.** remote control receiver. 1 piece
- d.** rod support cap. 1 piece
- e.** rod. 3 pieces
- f.** downrod and hanging ball (with pin and clip). 1 piece
- g.** wall control. 2 pieces
- h.** rod support. 1 piece
- i.** plate. 1 piece
- j.** remote control cover. 1 piece
- k.** faceplate. 3 pieces
- l.** yoke cover. 1 piece
- m.** motor housing. 1 piece
- n.** light kit fitter. 1 piece
- o.** finial plate. 1 piece
- p.** finial. 1 piece
- q.** glass shade. 1 piece
- r.** blade. 5 pieces
- s.** hardware packs



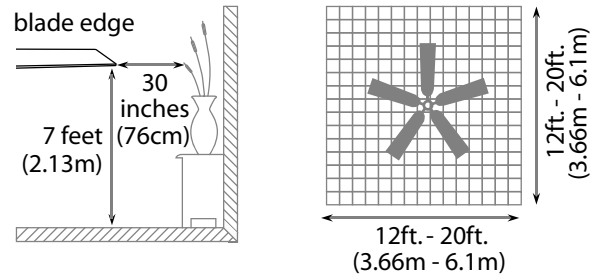
**IMPORTANT REMINDER:** You must use the parts provided with this fan for proper installation and safety. 

**required bulbs:**  
3 x 40 watt max. candelabra base bulbs,  
size CA8 only (included)



### 3. Installation Preparation.

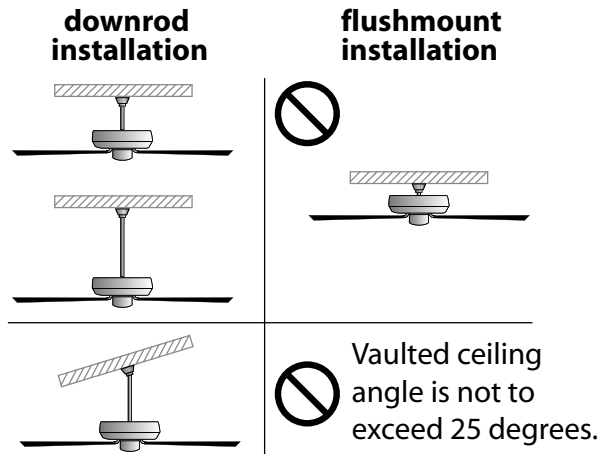
To prevent personal injury and damage, ensure that the hanging location allows the blades a clearance of 7 feet (2.13m) from the floor and 30in. (76cm) from any wall or obstruction. This fan is suitable for room sizes up to 400 square feet (37.2 square meters).



This fan can be mounted with a **downrod** on a regular (no-slope) or vaulted ceiling. The hanging length can be extended by purchasing a longer downrod (0.5in./1.27cm diameter). Other installation, such as **flushmount**, is *not* available for this fan.

#### Installation requires these tools:

Phillips screwdriver, flat-head screwdriver, adjustable pliers or wrench, stepladder, wire cutters and rated electrical tape.



### 4. Hanging Bracket Installation.

Turn off circuit breakers to current fixture from breaker panel and be sure operating light switch is turned to the OFF position.

**WARNING:** Failure to disconnect power supply prior to installation may result in serious injury.

Remove existing fixture.

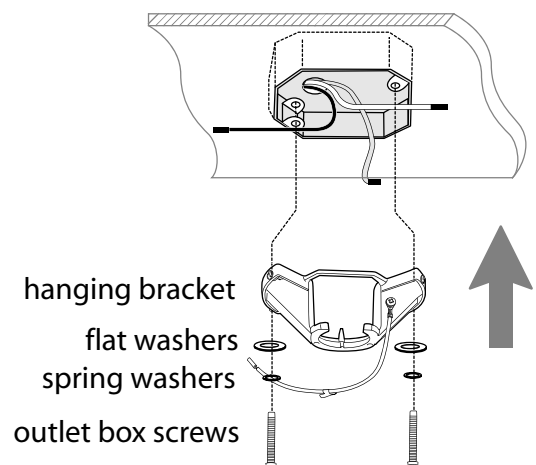
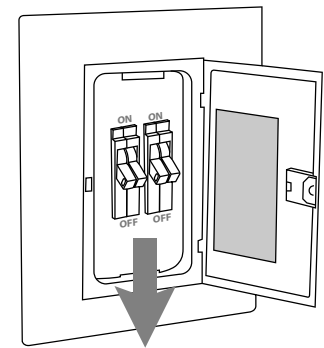
**WARNING:** When using an existing outlet box, be sure the outlet box is securely attached to the building structure and can support the full weight of the fan. Ensure the outlet box is clearly marked "Suitable for Fan Support." If not, it must be replaced with an approved outlet box. Failure to do so can result in serious injury.

**CAUTION:** Be sure outlet box is grounded and that a ground wire (**GREEN** or bare) is present.

Partially loosen screws in slotted holes of canopy. Remove the other 2 screws (along with the star washers)--save for later use. Twist canopy to remove hanging bracket.

Install hanging bracket to outlet box using original screws, spring washers and flat washers provided with new or original outlet box.\* If installing on a vaulted ceiling, face opening of hanging bracket towards high point of ceiling. Arrange electrical wiring around the back of the hanging bracket and away from the bracket opening.

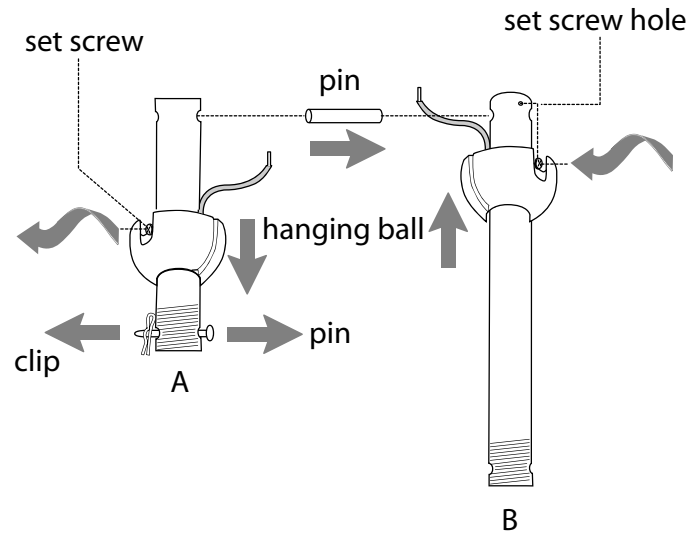
**\*Note:** It is very important that you use the proper hardware when installing the hanging bracket as this will support the fan.



## 5. Fan Assembly.

If you wish to extend the hanging length of your fan, you must remove the hanging ball from the downrod provided to use with an extended downrod (sold separately). [If you wish to use the downrod provided, please proceed to instructions following the dotted line below.]

To remove hanging ball, loosen set screw on hanging ball and remove the pin and clip. Lower hanging ball and remove stop pin. Slide hanging ball off the original downrod, A, and slide it down the longer downrod, B (the top of the downrod should be noted as having a set screw hole; use this hole when setting the set screw). Insert stop pin into top of extended downrod and raise hanging ball. Be sure stop pin aligns with slots on the inside of the hanging ball. Tighten set screw securely.



**Tip:** To prepare for threading electrical wires through downrod, apply a small piece of electrical tape to the ends of the electrical wires--this will keep the wires together when threading them through the downrod.

Loosen yoke set screws and nut at top of motor housing. Remove pin and clip from downrod (if you have not already done so). Slide downrod through canopy, rod support cap, rod support (loosen rod support set screw to prevent scratching the downrod finish) and then the yoke cover.

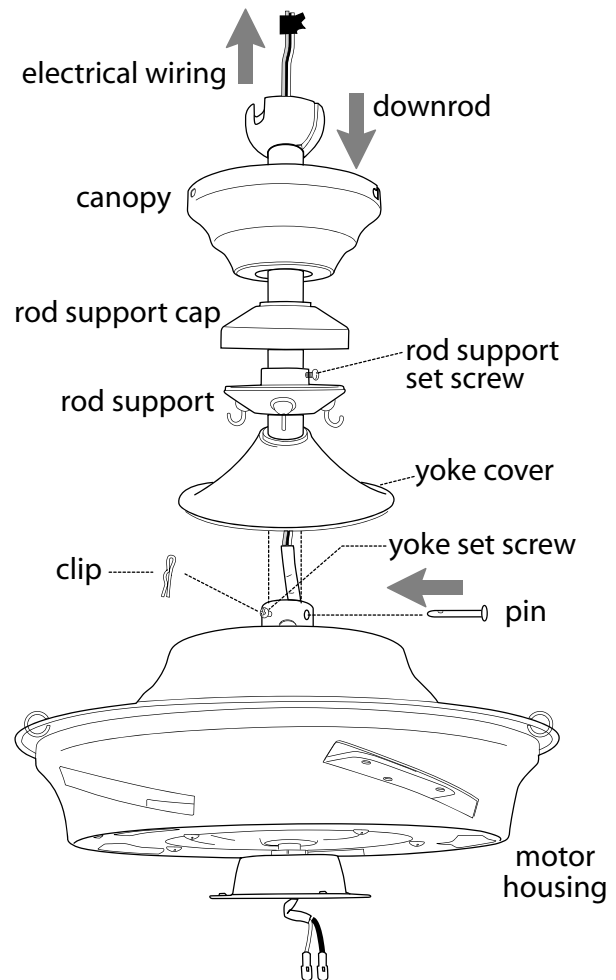
Thread electrical wires through downrod and pull extra wire slack from the upper end of the downrod.

Thread downrod into the motor housing yoke until holes for pin and clip in downrod align with holes in yoke--*make sure wires do not get twisted*. Re-insert pin and clip that were previously removed. Tighten yoke set screws and nut securely.

**WARNING:** Failure to tighten set screw (on hanging ball) completely could result in the fan becoming loose and possibly falling.

**NOTE:** The important safety precautions and instructions appearing in the manual are not meant to cover all possible conditions and situations that may occur. It must be understood that common sense and caution are necessary factors in the installation and operation of this fan.

["Fan Assembly" continued on next page.]

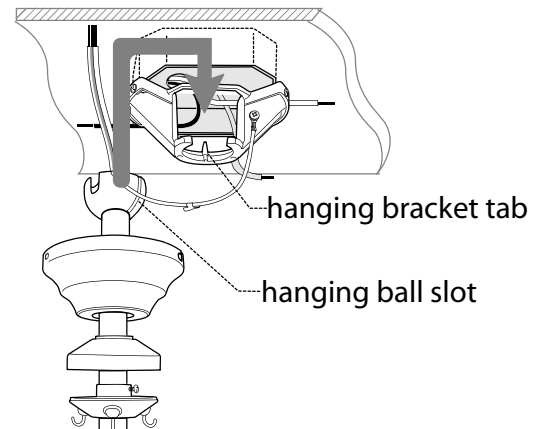


## 5. Fan Assembly. (cont.)

With the hanging bracket secured to the outlet box and able to support the fan, you are now ready to hang your fan. Grab the fan firmly with two hands. Slide down rod through opening in hanging bracket and let hanging ball rest on the hanging bracket. Turn the hanging ball slot until it lines up with the hanging bracket tab.

**WARNING:** Failure to align slot in hanging ball with tab in hanging bracket may result in serious injury or death.

**Tip:** Seek the help of another person to hold the stepladder in place and to help lift the fan up to you once you are set on the ladder.



## 6. Wiring.

**CAUTION:** Be sure outlet box is properly grounded and that a ground wire (**GREEN** or Bare) is present.

Make sure all electrical connections comply with Local Codes or Ordinances and the National Electrical Code. If you are unfamiliar with electrical wiring or if the house/building wires are different colors than those referred to in the diagram to the right, please use a qualified electrician.

**DANGER:** If using this fan in a DAMP location, this fan must be connected to a supply circuit that is protected by a Ground Fault Circuit Interrupter (GFCI) to reduce the risk of personal injury, electrical shock or death.

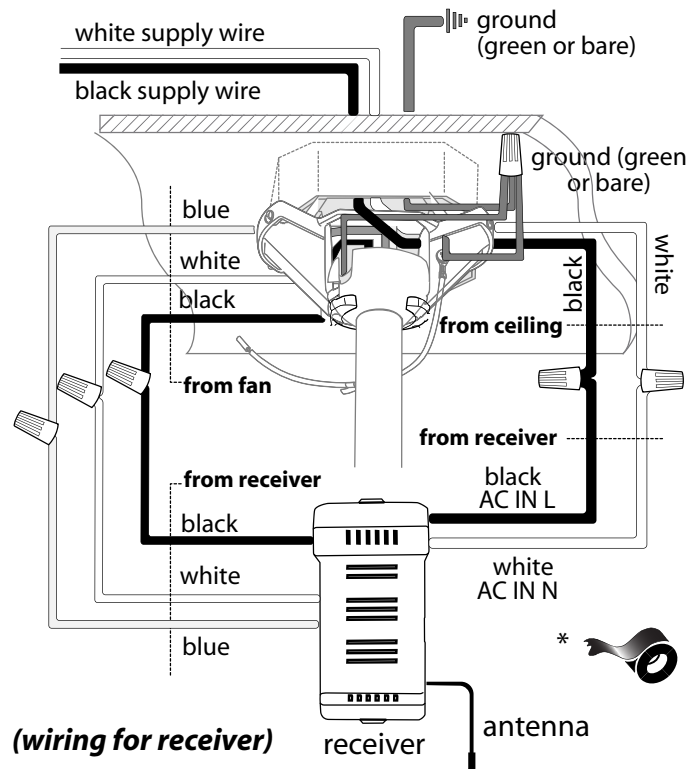
Wire the receiver with wire connectors provided as shown in diagram at right.

**Tip:** While you are wiring, keep in mind that wires must not obstruct receiver from sliding into hanging bracket.

\* Wrap each wire connector separately with electrical tape as an extra safety measure.

Insert receiver into hanging bracket (flat side up) and gently push taped wire connectors into outlet box. Allow antenna from remote control receiver to hang out of the hanging bracket.

**["Wiring" continued on next page.]**



**(wiring for receiver)**

Modifications not approved by the party responsible for compliance could void the user's authority to operate the equipment.

\*NOTE: This equipment has been tested and found to comply with the limits for a Class B digital device, pursuant to Part 15 of the FCC Rules. These limits are designed to provide reasonable protection against harmful interference in a residential installation. This equipment generates, uses and can radiate radio frequency energy and, if not installed and used in accordance with the instructions, may cause harmful interference to radio communications. However, there is no guarantee that interference will not occur in a particular installation. If this equipment does cause harmful interference to radio or television reception, which can be determined by turning the equipment off and on, the user is encouraged to try to correct the interference by one or more of the following measures:

- \* Reorient or relocate the receiving antenna.
- \* Increase the separation between the equipment and receiver.
- \* Connect the equipment into an outlet on a circuit different from that to which the receiver is connected.

Consult the dealer or an experienced radio/TV technician for help.

## 6. Wiring. (cont.)

[**PLEASE NOTE:** Wall and/or handheld remote control must be used for fan to operate. If you do **not** wish to use the wall control, please proceed to Section 7 below to continue with fan installation.]

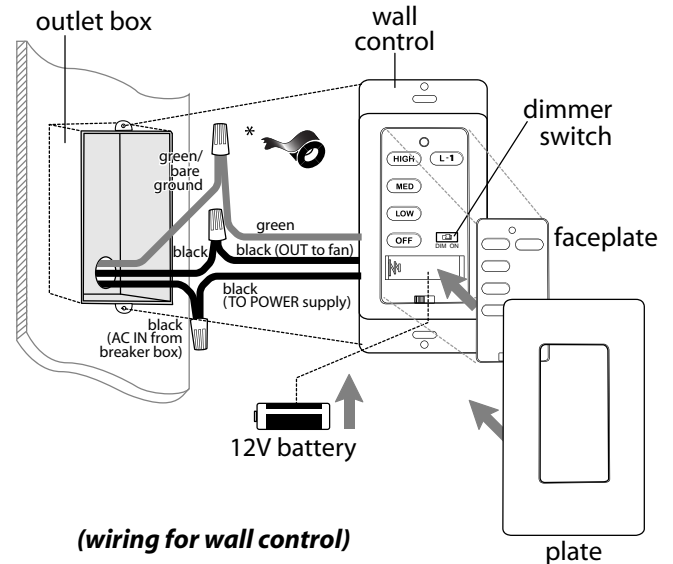
**To install wall control**, remove existing wall switch. Wire one of the wall controls with wire connectors provided as shown in diagram at right.

\*Wrap each wire connector separately with electrical tape as an extra safety measure. Gently push wires and taped wire connectors into outlet box.

Install one 12-volt battery (included) in wall control.  
**IMPORTANT:** Wall control will not function unless battery is installed.

Since this fan comes with an incandescent bulb, the dimmer switch (labeled **DIM** and **ON**) has been pre-set to the "ON" position (**DIM**). If you do not wish to have dimming capability, please move the switch to the "OFF" position (**ON**).

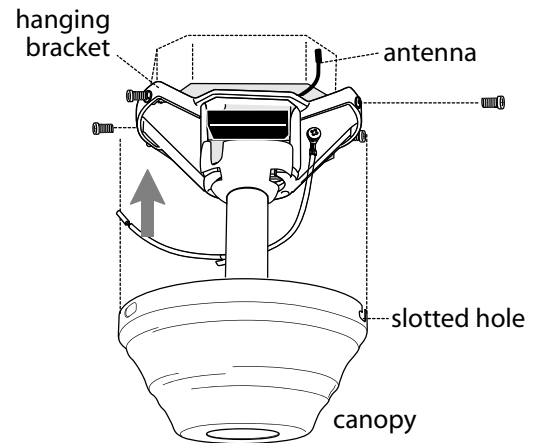
Select a faceplate (almond or white) and press firmly onto front of wall control. Attach wall control to outlet box and secure with screws from original wall switch. Attach plate (included) to wall control using 2 screws provided with the wall control.



## 7. Canopy Assembly.

Raise canopy to hanging bracket and align slotted holes in canopy with loosened screws in hanging bracket. Twist canopy to lock. Re-insert screws (along with star washers) that were previously removed (page 3, Section 4) and secure all screws with a Phillips screwdriver.

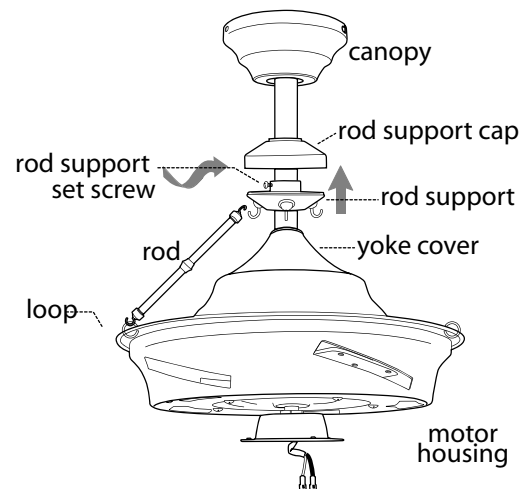
\*Remember that antenna for remote control receiver must rest *outside* of hanging bracket.



## 8. Rod Support Assembly.

Hook one end of rod to loop on motor housing. Adjust rod support to top end of rod so it holds the rod in place and tighten rod support set screw. Allow rod support cap to rest on rod support.

Install remaining rods in between motor housing and rod support. If rods fall off easily, re-adjust rod support (by re-adjusting rod support set screw as described above) with rods already installed.

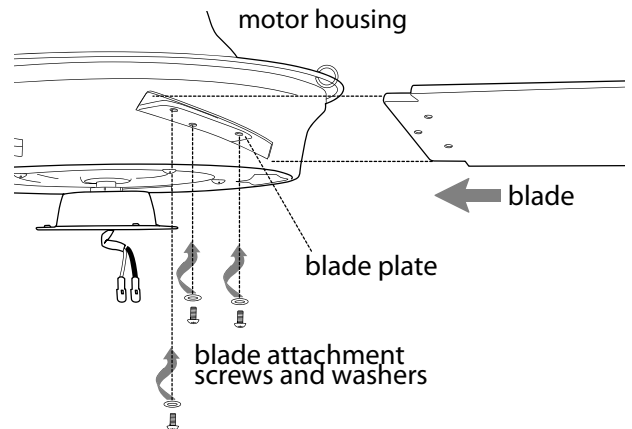


## 9. Blade Assembly.

**Time Saver:** Washers for blade screws can be set on each blade screw prior to installing blades.

Locate 15 blade attachment screws and washers in a hardware pack. Slide blade into slot on side of motor housing (*please note side of blade indicating **THIS SIDE UP***), then align holes in blade with holes on blade plate located **inside** motor housing. Insert 3 blade attachment screws (along with washers) from *underside* of motor housing. Tighten screws securely with a Phillips screwdriver. Repeat for remaining blades.

**Note:** Tighten blade arm screws twice a year.



## 10. Light Kit Assembly.

Remove 1 screw from fitter plate (on the underside of the motor housing) and loosen the other 2 screws.

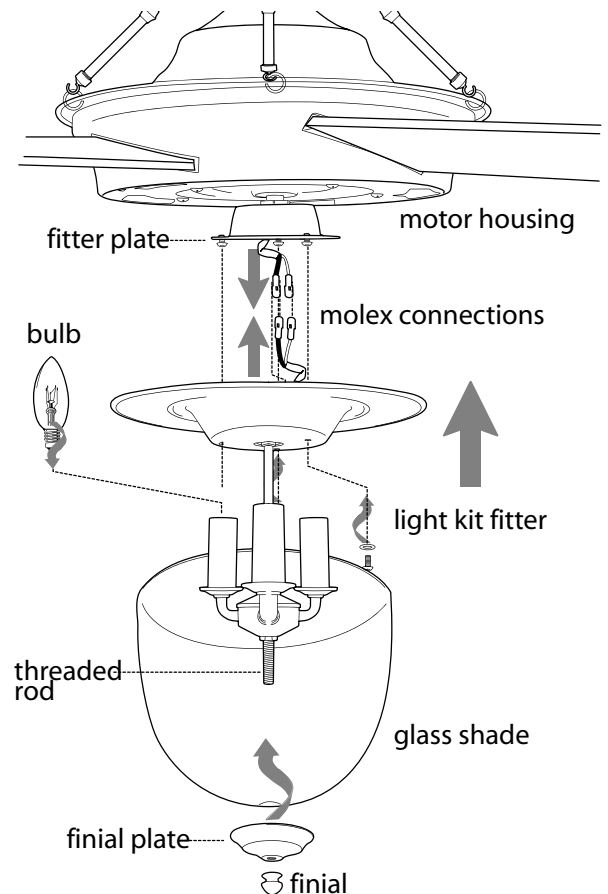
Connect **WHITE** wire from light kit fitter to **WHITE** wire from motor housing. Connect **BLACK** wire from the light kit fitter to **BLACK** (or **BLUE**) wire from the motor housing. Be sure that the molex connections snap together securely.

Align slotted holes in light kit fitter with loosened screws on fitter plate; twist light kit fitter to lock. Re-install screw that was previously removed and then securely tighten all 3 screws.

Install 3 candelabra base 40 watt max. bulbs (included).

**Important:** When replacing bulbs, please allow bulbs and glass shade to cool down before touching.

Align hole in glass shade with threaded rod on light kit fitter and push up gently until threaded rod comes through hole. Align hole in center of finial plate with threaded rod and push up. Secure glass shade with finial. *Do NOT overtighten finial as glass may crack or break.*





# 11. Handheld Remote Control Assembly.

IN ORDER TO USE THE HANDHELD REMOTE CONTROL, PLEASE CONTINUE WITH SECTION 11 for remote control assembly instructions. If you have already installed the wall control but do **not** wish to use the handheld remote control, please proceed to Section 12.

Gently pull on remote control cover to separate top and bottom parts. [Refer to **diagram 1**.]

In order to use wall control as a handheld remote control, cut each wire on wall control (that was not previously used)--use wire cutters to cut off each wire as close to the wall control as possible. [Refer to **diagram 2**.]

Install one 12-volt battery (included) in wall control. [Refer to **diagram 2**.]

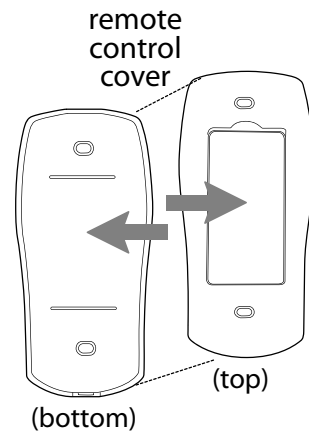
The dimmer switch (labeled **DIM** and **ON**) has been pre-set to the "ON" position (**DIM**). If you do not wish to have dimming capability, please move the switch to the "OFF" position (**ON**). [Refer to **diagram 2**.]

Attach **black faceplate** to front of wall control; press down firmly. [Refer to **diagram 3**.]

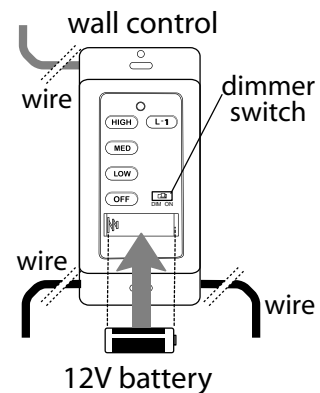
Align holes in wall control with posts located on *inside* of TOP part of remote control cover and press together firmly. Place wall control into BOTTOM part of remote control cover, aligning posts in top of remote control cover with post holes in the bottom. [Refer to **diagram 3**.]

(NOTE: Make sure to align narrower ends of remote control cover before closing.) Squeeze top and bottom of remote control cover together until you hear a click at each end, indicating that the remote control cover has closed completely.

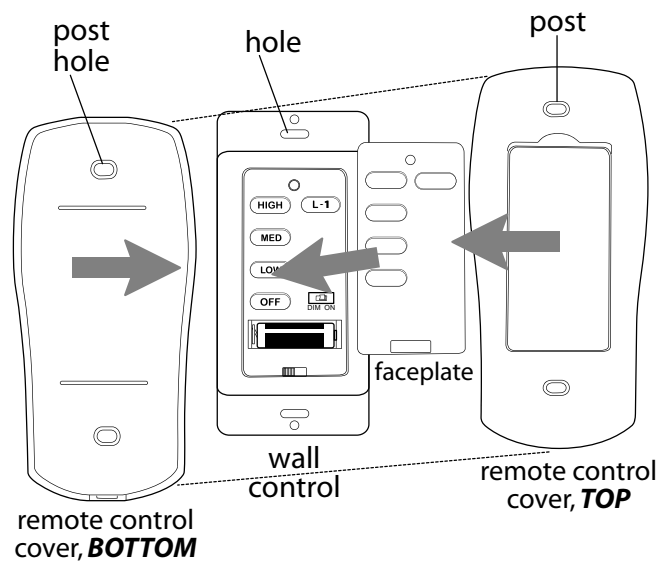
**IMPORTANT:** Store the remote control away from excess heat or humidity. To prevent damage to remote control, remove the battery if remote control will not be used for long periods.



**diagram 1**



**diagram 2**



**diagram 3**

## 12. Automated Learning Process./Activating Code.

**CAUTION:** The wall and/or handheld remote control can be programmed to multiple receivers or fans. If this is not desired, turn wall switch off to any other programmable receiver or fan.

Restore electrical power and then, if using wall control, set slider switch on wall control to the ON position. Within 60 seconds of turning on the wall control, press and hold the fan **OFF** button on the wall control for 5 seconds or until light blinks twice.

**Turn power off again for at least 5 seconds** and then turn power back on. Within 60 seconds of restoring the power, press and hold the fan **OFF** button on the front of the handheld remote control for 5 seconds or until light blinks twice.

Test the light and fan functions to confirm the learning process is complete--see Section 14 below.

## 13. Remote Control Operation.

**ON/OFF** slider switch - turns wall control ON or OFF  
(switch not functional on handheld remote)

**HIGH** button - turns fan to HIGH speed

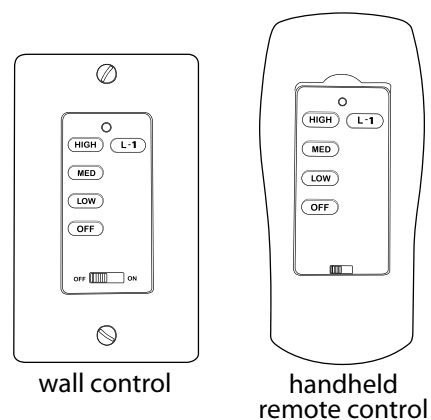
**MED** button - turns fan to MEDIUM speed

**LOW** button - turns fan to LOW speed

**OFF** button - turns fan OFF

**L1** button - turns light kit ON/OFF when pressed once;  
dims light kit when pressed and held down

**REV** button - used to REVERSE blade direction  
(fan must be set on low **before** reversing blade direction)



## 14. Testing Your Fan.

It is recommended that you test fan before finalizing installation. Restore power from circuit box and light switch (if applicable). Test wall control (optional installation) by locating ON/OFF slider switch on wall control, then set to the ON position. Test light and dimmer function and then test fan speeds. Next, locate handheld remote control. Test the light ON/OFF function by pressing the L1 button; test the dimmer function by pressing the L1 button and holding it down for 1 second. Test fan speeds with the different fan speed buttons. If the wall and/or handheld remote control operates all of the functions of the fan, battery has been installed correctly. If the wall and/or handheld remote control do (does) not operate all of the fan/light functions, refer to "Troubleshooting" section to solve any issues before contacting Customer Service.

Turn fan completely off *before* moving the reverse switch (located on top of the motor housing). (**diagram 1**) Set reverse switch to recirculate air depending on the season:

- LEFT position in summer (**diagram 2**)
- RIGHT position in winter (**diagram 3**)

A ceiling fan will allow you to raise your thermostat setting in summer and lower your thermostat setting in winter without feeling a difference in your comfort.

**Important:** Reverse switch must be set either *completely to the LEFT* or *completely to the RIGHT* for fan to function. If the reverse switch is set in the *middle* position (**diagram 4**), fan will not operate.

**NOTE:** If the wall control/handheld remote control interferes with other appliances, turn off power and go back to the instructions in Section 12.

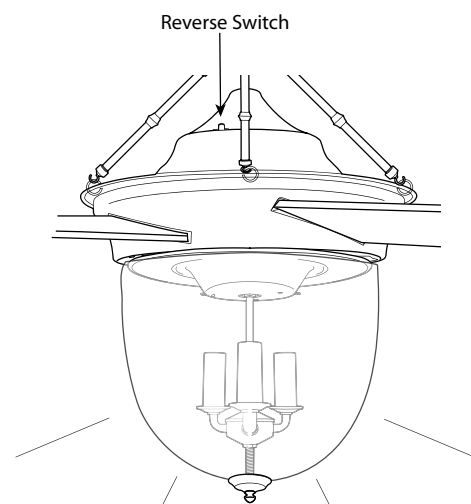


diagram 1



diagram 2



diagram 3



diagram 4

## Troubleshooting.

**WARNING:** Failure to disconnect power supply prior to troubleshooting any wiring issues may result in serious injury.

**Problem:** Fan fails to operate.

**Solutions:**

1. Check wall switch to fan/wall control.
2. Check to be sure wall control (optional use) is wired properly.
3. Check to be sure fan is wired properly.
4. Learning process between fan, handheld remote control and, if applicable, wall control may not have been successful and code was not activated. Turn off power and repeat instructions in Section 12 (page 10).
5. Check that red light on handheld remote control turns on when a button is pressed indicating that the battery is good.

**Problem:** Light kit not lighting.

**Solutions:**

1. Check wall switch to fan/wall control.
2. Check that bulb is installed correctly.
3. Check that wires in canopy are wired properly.
4. Verify that molex connections in light kit fitter are connected properly.
5. Learning process between fan, handheld remote control and, if applicable, wall control may not have been successful and code was not activated. Turn off power and repeat instructions in Section 12 (page 9).

**Problem:** Fan operates but light fails.

**Solutions:**

1. Check that bulb is installed correctly.
2. Check that wires in canopy are wired properly.
3. Replace defective bulb with same type of bulb.
4. Verify that molex connections in light kit fitter are connected properly.

**Problem:** Fan and light fail to operate with wall control (optional) and/or handheld remote control.

**Solutions:**

1. Check battery power in handheld remote control.
2. Learning process between fan, handheld remote control and, if applicable, wall control may not have been successful and code was not activated. Turn off power and repeat instructions in Section 12 (page 10).
3. If using optional wall control, check that battery in wall control is still good.

**Problem:** Lighting source (up-light, down-light or both) not functioning.

**Solution:**

Wattage Limiting Device has interrupted the flow of electricity to the light source. Ensure bulbs total no more than 190W in the light source.

**Problem:** Fan wobbles.

**Solutions:**

1. Use the balancing kit in one of the hardware packs. *If no blade balancing kit is provided, please call Customer Support, 1-800-486-4892, to request one.*
2. Check to be sure set screw(s) on motor housing yoke is (are) tightened securely.
3. Check to be sure set screw on hanging ball is tightened securely.

## Warranty.

CRAFTMADE/ELLINGTON LIFETIME WARRANTY:

CRAFTMADE/ELLINGTON warrants this fan to the original household purchaser for indoor use under the following provisions:

1-YEAR WARRANTY: CRAFTMADE/ELLINGTON will replace or repair any fan which has faulty performance due to a defect in material or workmanship. Contact

Craftmade/Ellington Customer Service at **1-800-486-4892** to arrange for return of fan. Return fan, shipping prepaid, to Craftmade/Ellington. We will repair or ship you a replacement fan, and we will pay the return shipping cost.

5-YEAR WARRANTY: CRAFTMADE/ELLINGTON will repair or replace at no charge to the original purchaser any fan motor that fails to operate satisfactorily when failure results from normal use.

RETURN FAN MOTOR ONLY, shipping prepaid, to Craftmade/Ellington. We will repair or ship purchaser a replacement motor and Craftmade/Ellington will pay the return shipping cost.

6-YEAR to LIFETIME LIMITED WARRANTY:

CRAFTMADE/ELLINGTON will repair the fan, at no charge for labor only to the original purchaser, if the fan motor fails to operate satisfactorily when failure results from normal use. Parts used in the repair will be billed to the purchaser at prevailing prices at time of repair.

The purchaser shall be responsible for all costs incurred in the removal, reinstallation and shipping of the product for repairs.

This warranty does not apply when damage from mechanical, physical, electrical or water abuse results in causing the malfunction. Deterioration of finishes or other parts due to time or exposure to salt air is specifically exempted under this warranty.

Neither Craftmade/Ellington nor the manufacturer will assume any liability resulting from improper installation or use of this product. In no case shall the company be liable for any consequential damages for breach of this, or any other warranty expressed or implied whatsoever. This limitation as to consequential damages shall not apply in states where prohibited.

## Parts Replacement.

For parts and information, please refer to "Parts Inventory" on page 2.

Craftmade/Ellington Customer Support:

**1-800-486-4892**

[www.craftmadebrands.com](http://www.craftmadebrands.com)

**ELLINGTON**  
CEILING FANS by Craftmade

## Cavalier

### Guía de instalación

Para modelo:  
CAV52ABZ5LK  
CAV52PT5LK



#### Índice de materias:

- Sugerencias de seguridad. Pág. 1
- Desempaquetado del ventilador. Pág. 2
- Inventario de piezas. Pág. 2
- Preparación para la instalación. Pág. 3
- Instalación del soporte de montaje. Pág. 3
- Ensamblaje del ventilador. Págs. 4 - 5
- Instalación eléctrica. Págs. 5 - 6
- Colocación de la cubierta decorativa. Pág. 6
- Ensamblaje del soporte para las varitas. Pág. 7
- Colocación de las aspas. Pág. 7
- Instalación del juego de luz. Pág. 8
- Ensamblaje del control remoto de mano. Pág. 9
- Proceso de aprendizaje automático./  
El activar el código. Pág. 10
- Funcionamiento del control remoto. Pág. 10
- Verificación del funcionamiento del  
ventilador. Pág. 10
- Localización de fallas. Pág. 11
- Garantía. Pág. 11
- Piezas de repuesto. Pág. 11



REGISTRADO PARA  
LUGAR HUMEDO

**Intertek**

peso neto del ventilador: 13,47 kg (29,7 lb)

IMPRESO EN CHINA

# SUGERENCIAS DE SEGURIDAD.

**ADVERTENCIA:** Para evitar la posibilidad de una descarga eléctrica, desconectar la corriente en la caja de fusibles principal o el interruptor protector antes de iniciar la instalación del ventilador o antes de repararlo o instalar accesorios.

1. **LEER TODAS LAS INSTRUCCIONES E INFORMACIÓN DE SEGURIDAD CUIDADOSAMENTE ANTES DE INSTALAR SU VENTILADOR Y GUARDAR ESTAS INSTRUCCIONES.**

**PRECAUCIÓN:** Para reducir el riesgo de daño corporal, es posible que sea necesario usar guantes al manejar las piezas del ventilador que tengan bordes afilados.

2. Asegurarse de que todas las conexiones eléctricas cumplan con los Códigos o las Ordenanzas Locales, el Código Nacional Eléctrico y ANSI/NFPA 70-1999. Si usted no está familiarizado con el alambrado eléctrico o los cables de la casa/el edificio son de colores diferentes a los cuales se refieren en las instrucciones, favor de buscar un electricista calificado.
3. Asegurarse de que haya localizado una ubicación para su ventilador que permite el espacio necesario para la rotación de las aspas, y por lo menos 2,13 metros (7 pies) de espacio libre entre el piso y las puntas de las aspas. Debe instalar el ventilador para que las puntas de las aspas queden a una distancia de por lo menos 76 centímetros (30 pulgadas) de las paredes y otras estructuras verticales.
4. La caja de salida eléctrica debe estar bien sujeta a la viga de soporte del techo y deben ser capaces de sostener por lo menos 16 kilogramos (35 libras). La caja de salida debe tener apoyo directo de la estructura del edificio. Sólo usar cajas de salida registradas con UL que indican que "sirven para ventilador" ("FOR FAN SUPPORT" en inglés).

**ADVERTENCIA:** Para reducir el riesgo de incendio, descarga eléctrica o daño corporal, instalar en la caja de salida marcada "Aceptable para sostener ventilador de 15,9 kg (35 lb) o menos" ["Acceptable for Fan Support of 15.9 kg (35 lb) or less"] y utilizar los tornillos proporcionados con la caja de salida. La mayoría de las cajas de salida que normalmente se usan para sostener los aparatos de alumbrado no siempre son apropiadas para sostener ventiladores y es posible que las tenga que reemplazar. En caso de duda, consultar con un electricista calificado.

**ADVERTENCIA:** Para reducir el riesgo de incendio, descarga eléctrica o daño corporal, los conectores para cable provistos con este ventilador son diseñados para aceptar sólo un cable de calibre 12 de la casa y dos cables principales del ventilador. Si el calibre del cable de la casa es superior al 12 o hay más de un cable de la casa para conectar a los cables principales del ventilador al cual corresponda cada uno, consultar con un electricista para informarse sobre el tamaño correcto de conectores para cable que se debe usar.

**ADVERTENCIA:** Si va a utilizar este ventilador en un lugar HUMEDO, hay que conectar el ventilador a un circuito de alimentación que esté protegido por un Interruptor de Circuito de Falla de Tierra (GFCI, por sus siglas en inglés) para reducir el riesgo de daño corporal, descarga eléctrica o la muerte.

5. Los diagramas eléctricos son únicamente para referencia. Los juegos de luz que no se incluyen con el ventilador deben tener el símbolo UL y también deben indicar que sirven para uso con este ventilador. Los interruptores deben ser interruptores de uso general UL. Referirse a las instrucciones incluidas con el juego de luz y los interruptores para ensamblarlos correctamente.
6. Después de haber terminado la instalación, asegurarse de que todas las conexiones estén totalmente seguras.
7. Después de haber terminado todas las conexiones eléctricas, los conductores empalmados deben ser volteados para arriba y colocados cuidadosamente dentro de la caja de salida. Los alambres se deben de separar con el conductor a tierra a un lado y el conductor a tierra del equipo al lado opuesto.

**ADVERTENCIA:** Para reducir el riesgo de incendio o un choque eléctrico, no usar el ventilador con ningún control de velocidad de estado sólido ni controlar la velocidad del ventilador con un interruptor con reductor de luz de gama completa. [El usar un interruptor con reductor de luz de gama completa para controlar la velocidad del ventilador causara un zumbido recio del ventilador.]

8. No utilizar el interruptor de reversa hasta que el ventilador se haya parado completamente.
9. No insertar ningún objeto entre las aspas mientras estén rotando.

**ADVERTENCIA:** Para reducir el riesgo de daño corporal, no doblar los brazos de las aspas durante el ensamblaje ni durante la instalación. No insertar objetos entre las aspas mientras estén rotando.

**ADVERTENCIA:** Para reducir el riesgo de daño corporal o algún daño al ventilador, tener cuidado al estar trabajando alrededor del ventilador o limpiándolo.

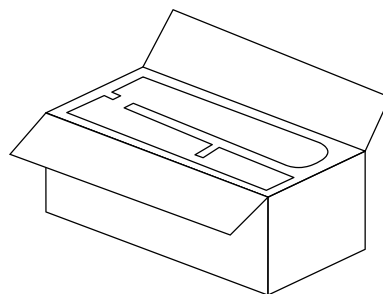
10. No utilizar agua ni detergentes para limpiar el ventilador ni las aspas. Usar un trapo seco o ligeramente húmedo para su limpieza general.

**ADVERTENCIA:** Para reducir el riesgo de daño corporal, usar **sólo** las piezas provistas con este ventilador. **Al usar piezas DISTINTAS a las provistas con este ventilador se invalidará la garantía.**

**NOTA:** No se debe concluir que las precauciones de seguridad importantes e instrucciones en este manual van a abarcar todas las condiciones y situaciones posibles que puedan ocurrir. Se debe entender que el sentido común y la precaución son factores necesarios en la instalación y la operación de este ventilador.

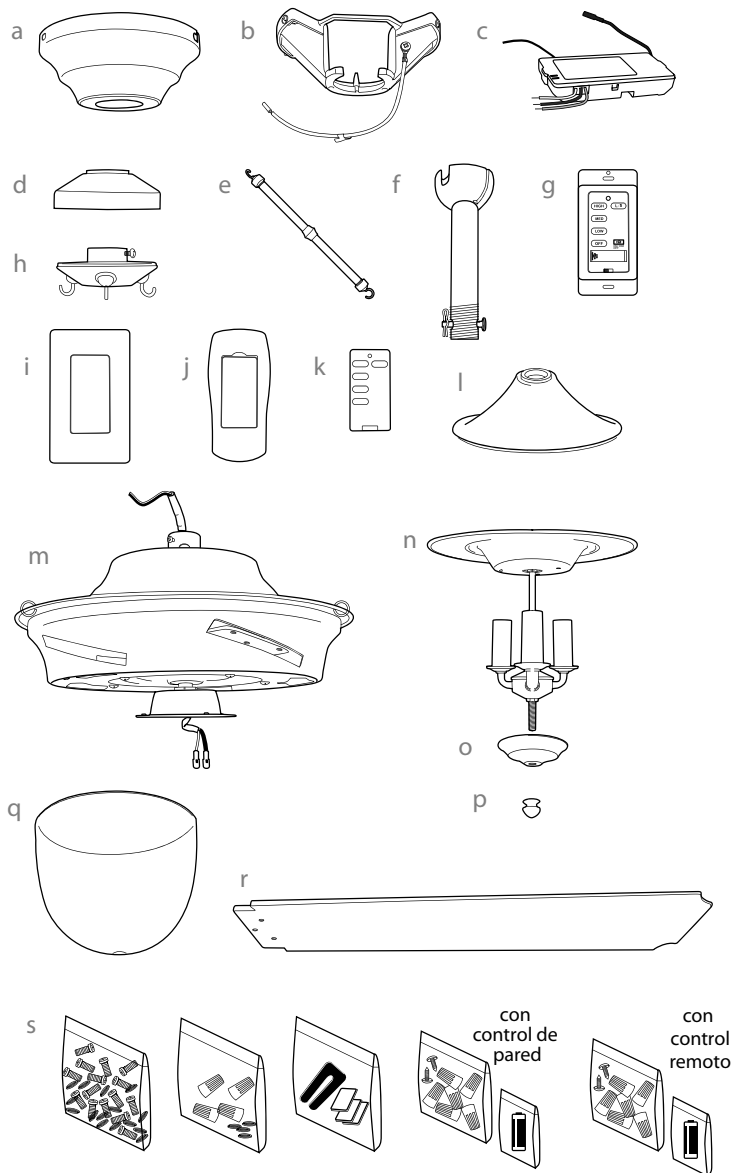
# 1. Desempaquetado del ventilador.

Abrir el empaque cuidadosamente. Sacar los artículos del embalaje. Sacar el motor y ponerlo en una alfombra o en el embalaje para evitar rayar el acabado. Guardar la caja de cartón o el empaquetamiento original en caso de que tenga que mandar el ventilador para alguna reparación. Comprobar las partes del ventilador con el inventario de partes y verificar que se incluyeron todas.



# 2. Inventario de piezas.

- a.** cubierta decorativa. 1 unidad
- b.** soporte de montaje (fijado de antemano a la cubierta decorativa). 1 unidad
- c.** receptor del control remoto. 1 unidad
- d.** tapa del soporte para las varitas. 1 unidad
- e.** varita. 3 unidades
- f.** tubo y bola que sirve para colgar (con perno y clavija). 1 unidad
- g.** control de pared. 2 unidades
- h.** soporte para las varitas. 1 unidad
- i.** placa. 1 unidad
- j.** cubierta del control remoto. 1 unidad
- k.** tapa. 3 unidades
- l.** cubierta del cuello. 1 unidad
- m.** bastidor del motor. 1 unidad
- n.** conector para el juego de luz. 1 unidad
- o.** placa del adorno con rosca. 1 unidad
- p.** adorno con rosca. 1 unidad
- q.** pantalla de vidrio. 1 unidad
- r.** aspa. 5 unidades
- s.** paquetes de artículos de ferretería



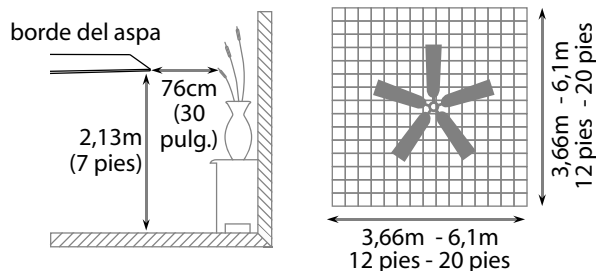
**! RECORDATORIO IMPORTANTE:**  
Se tienen que utilizar las piezas provistas con este ventilador para una instalación adecuada y su seguridad. **!**

**bombillas necesarias:**  
3 bombillas de base candelabro de 40 vatios máx., sólo tamaño CA8 (incluidas)

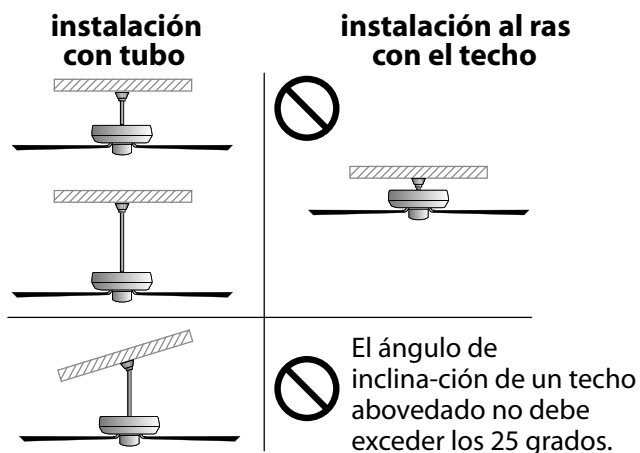


### 3. Preparación para la instalación.

Para prevenir daño corporal y otros daños, estar seguro de que el lugar en donde va a colgar el ventilador le permite un espacio libre de 2,13m (7 pies) entre las puntas de las aspas y el piso y 76cm (30 pulg.) entre las aspas y cualquier pared u otra obstrucción. Este ventilador es adecuado para habitaciones hasta 37,2 metros cuadrados (400 pies cuadrados).



Se puede colgar este ventilador **con tubo** en un techo regular (sin inclinación) o abovedado. La longitud colgante se puede extender comprando un tubo más largo (con diámetro de 1,27cm/0,5 pulg.). No hay ningún otro tipo de instalación, como **al ras con el techo**, disponible para este ventilador.



#### Se necesitan las herramientas siguientes para la instalación:

Destornillador de estrella Phillips, destornillador de paleta (plano), alicates ajustables o llave de tuercas, escalera de tijera, cortaalambres y cinta aisladora.

### 4. Instalación del soporte de montaje.

Apagar los cortacircuitos en el panel de electricidad (que suplen corriente a la caja de salida y asegurarse de que el interruptor de luz esté APAGADO).

**ADVERTENCIA:** El no desconectar el suministro de fuerza antes de la instalación puede tener por resultado lesiones graves.

Quitar el aparato existente.

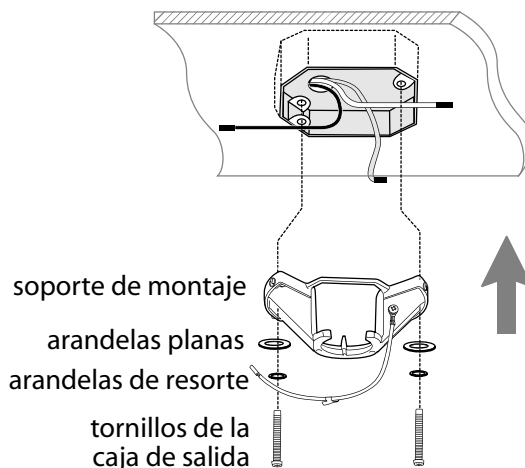
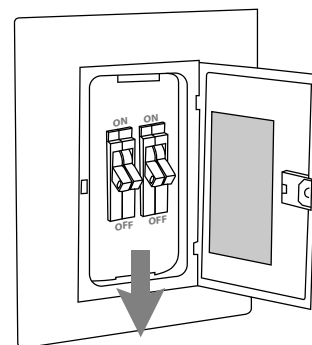
**ADVERTENCIA:** Si utiliza una caja de salida, asegurarse de que la caja de salida esté firmemente conectada a la estructura del edificio y que sea capaz de sostener el peso total del ventilador. Asegurarse de que la caja de salida indique claramente que "Sirve para ventilador" (FOR FAN SUPPORT); si no, se debe reemplazar con una caja de salida aprobada. El no hacer el cambio si es necesario puede resultar en lesiones graves.

**PRECAUCION:** Asegurarse de que la caja de salida esté conectada a tierra correctamente y que haya un conductor a tierra (**VERDE** o pelado).

Parcialmente aflojar los tornillos en los agujeros con ranura en la cubierta decorativa. Quitar los otros 2 tornillos (junto con las arandelas de estrella)--guardarlos para uso más adelante. Girar la cubierta decorativa para sacar el soporte de montaje.

Instalar el soporte de montaje utilizando los tornillos originales, las arandelas de resorte y las arandelas planas de su nueva o existente caja de salida.\* Si hace la instalación en un techo abovedado, colocar el soporte de montaje con la abertura dirigida hacia la parte alta del techo. Arreglar el alambreado eléctrico (los cables) en la parte de atrás del soporte y lejos de la abertura del soporte.

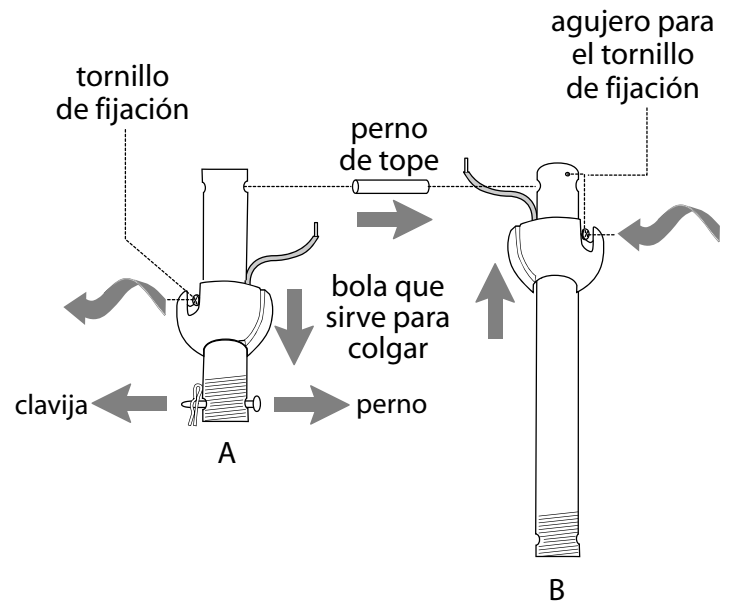
\*Nota: Es muy importante usar los artículos de ferretería correctos al instalar el soporte de montaje puesto que sirve para sostener el ventilador.



## 5. Ensamblaje del ventilador.

Si usted desea extender la longitud colgante del ventilador, usted tendrá que quitar la bola que sirve para colgar del tubo provisto para usarlo con un tubo más largo (a la venta por separado). [Si desea utilizar el tubo provisto, favor de pasar a las instrucciones después de la línea punteada más abajo.]

Aflojar el tornillo de fijación de la bola que sirve para colgar y quitar el perno y la clavija. Bajar la bola que sirve para colgar y sacar el perno de tope. Quitar la bola del tubo original, A, y deslizarla sobre el tubo más largo, B (la parte de arriba de el tubo debe tener el agujero para el tornillo de fijación en ese extremo; usar ese agujero al colocar el tornillo de fijación). Introducir el perno de tope en la parte de arriba del tubo más largo y subir la bola que sirve para colgar. Asegurarse de que el perno de tope se ponga en línea con las ranuras dentro de la bola. Apretar bien el tornillo de fijación.



**Sugerencia:** Para preparar los cables para pasarlos por el tubo, poner un pedacito de cinta aisladora en la punta de los cables—esto mantendrá los cables juntos al pasarlos por el tubo.

Aflojar los tornillos de fijación del cuello y la tuerca de la parte superior del bastidor del motor. Quitar el perno y la clavija del tubo (si todavía no se hace). Pasar el tubo por la cubierta decorativa, la tapa del soporte para las varitas, el soporte para las varitas (aflojar el tornillo de fijación del soporte para las varitas para evitar que se raye el acabado del tubo) y luego la cubierta del cuello.

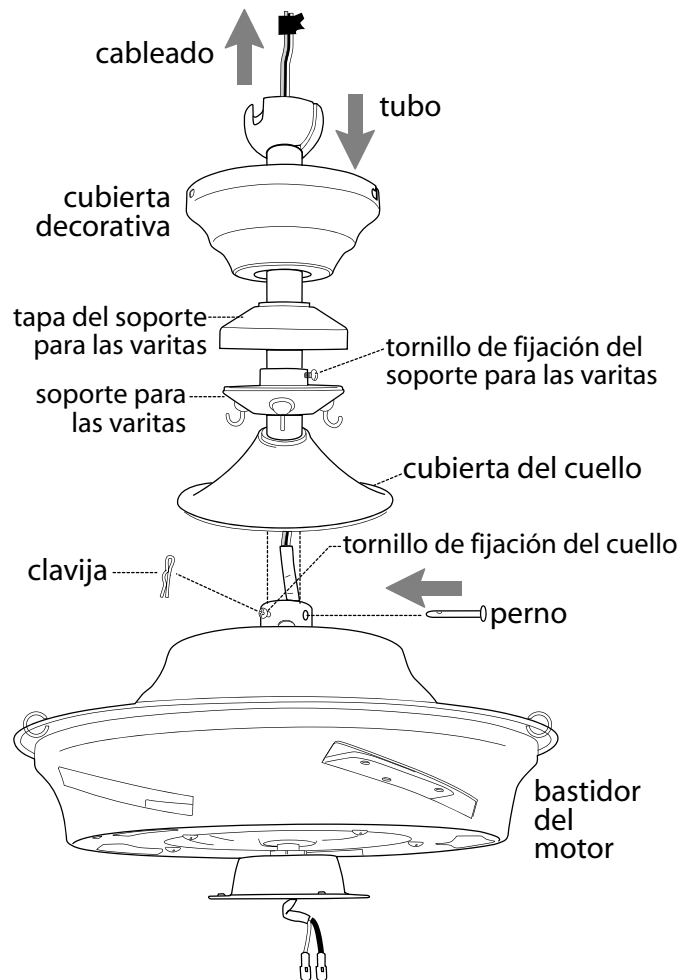
Pasar los cables del ventilador a través del tubo y jalar con cuidado los cables en exceso por la parte de arriba del tubo.

Enroskar el tubo en el cuello del bastidor del motor hasta alinearse los agujeros para el perno y la clavija en el tubo con los del cuello—asegurarse de que no se tuerzan los cables. Volver a introducir el perno y la clavija que se quitaron anteriormente. Apretar los tornillos de fijación del cuello y la tuerca completamente.

**ADVERTENCIA:** Si no se aprieta bien el tornillo de fijación (en la bola que sirve para colgar) es posible que se afloje el ventilador y que se caiga.

**[El "Ensamblaje del ventilador" continúa en la página siguiente.]**

**NOTA:** No se debe concluir que las precauciones de seguridad importantes e instrucciones en este manual van a abarcar todas las condiciones y situaciones posibles que puedan ocurrir. Se debe entender que el sentido común y la precaución son factores necesarios en la instalación y la operación de este ventilador.



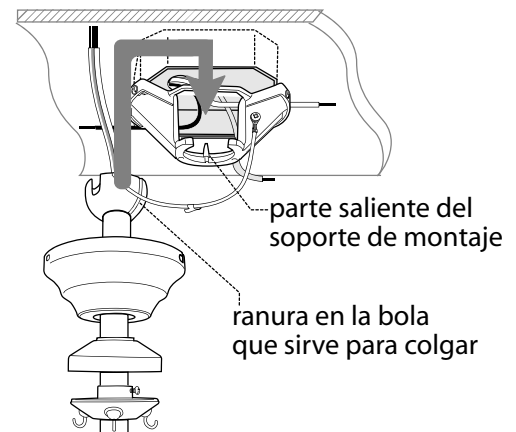


## 5. Ensamblaje del ventilador. (cont.)

Ya que esté sujetado el soporte de montaje a la caja de salida y capaz de apoyar el ventilador, usted está listo para colgar el ventilador. Agarrar el ventilador firmemente con las dos manos. Deslizar el tubo por la abertura del soporte de montaje y dejar que se detenga la bola en el soporte de montaje. Girar la bola que sirve para colgar hasta que la ranura de la bola se alinee con la parte saliente del soporte de montaje.

**ADVERTENCIA:** El no alinear la ranura en la bola que sirve para colgar con la parte saliente del soporte de montaje puede causar lesiones graves o la muerte.

**Sugerencia:** Solicitar ayuda de otra persona para mantener la escalera sujeta y para que le suba el ventilador cuando usted ya esté preparado en la escalera para colgarlo.



## 6. Instalación eléctrica.

**PRECAUCION:** Asegurarse de que la caja de salida esté conectada a tierra como es debido y que exista un conductor a tierra (**VERDE** o pelado).

Asegurarse de que todas las conexiones eléctricas cumplan con los Códigos o las Ordenanzas Locales y el Código Nacional Eléctrico. Si usted no está familiarizado con el alambrado eléctrico o los cables de la casa/el edificio son de colores diferentes a los cuales se refieren en el diagrama al lado, favor de buscar un electricista calificado.

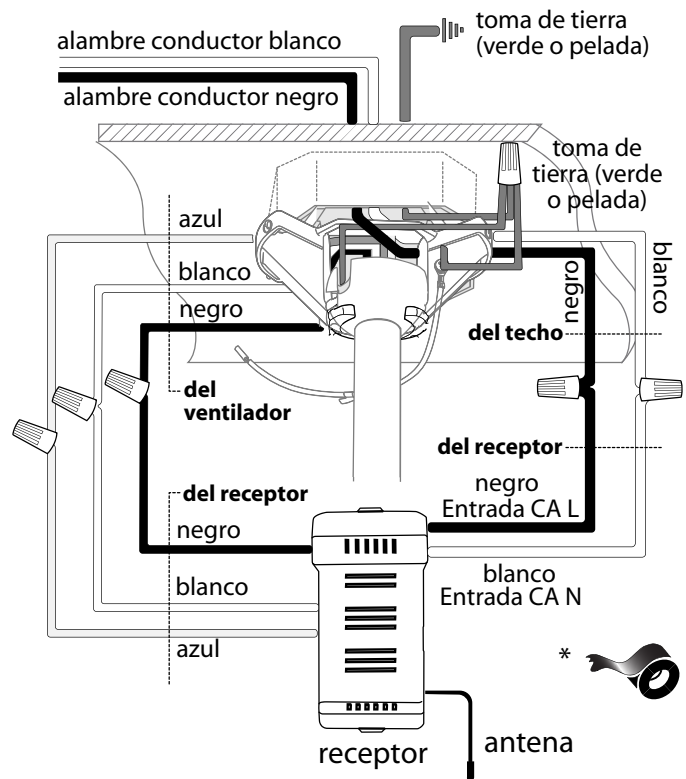
**PELIGRO:** Si va a utilizar este ventilador en un lugar HUMEDO, hay que conectar el ventilador a un circuito de alimentación que esté protegido por un Interruptor de Circuito de Falla de Tierra (GFCI, por sus señales en inglés) para reducir el riesgo de daño corporal, descarga eléctrica o la muerte.

Alambrar el receptor usando los conectores para cable provistos como se muestra en el diagrama al lado. **Sugerencia:** Mientras está haciendo la instalación eléctrica, recordar que los cables no deben impedir el posicionamiento del receptor en el soporte de montaje.

\* Como una medida de seguridad adicional, envolver cada conector para cable por separado con cinta aisladora.

Meter el receptor (con el lado plano hacia arriba) en el soporte de montaje y delicadamente meter los conectores para cable que tienen cinta dentro de la caja de salida. Dejar que la antena se quede fuera del soporte de montaje.

**[La "Instalación eléctrica" continúa en la página siguiente.**



Las modificaciones no aprobadas por la parte responsable de la conformidad podrían invalidar la autorización del usuario para manejar el equipo.

\*NOTA: Se han hecho pruebas en este equipo y se ha comprobado que cumple con los límites para un aparato digital de clase B, de acuerdo con la Parte 15 de las Reglas de la FCC. Se concibieron estos límites para proveer protección razonable contra la interferencia adversa en una instalación residencial. Este equipo produce, usa y puede radiar energía de radiofrecuencia y, si no se instala y no se usa según las instrucciones, puede causar interferencia adversa en la radiocomunicación. Sin embargo, no hay ninguna garantía de que no habrá interferencia en una instalación en particular. Si este equipo sí causa interferencia adversa en la recepción de radio o televisión, que se puede determinar apagando y prendiendo el equipo, se le urge al usuario a intentar rectificar la interferencia tomando una o más de las medidas que siguen:

- \* Orientar la antena de nuevo o localizarla en otro sitio.
- \* Aumentar la separación entre el equipo y el receptor.
- \* Conectar el equipo a un tomacorriente en un circuito distinto al cual está conectado el receptor.

Solicitar ayuda del distribuidor o un técnico de radio/televisión.

## 6. Instalación eléctrica.

[**FAVOR DE DARSE CUENTA:** Hay que utilizar el control de pared y/o el control remoto de mano para que funcione el ventilador. *Si no desea utilizar el control de pared, favor de pasar a la sección 7 más abajo para seguir con la instalación del ventilador.*]

**Para instalar el control de pared,** quitar el interruptor de pared existente. Alambrear uno de los controles de pared con los conectores para cable provistos así como se muestra en el diagrama al lado.

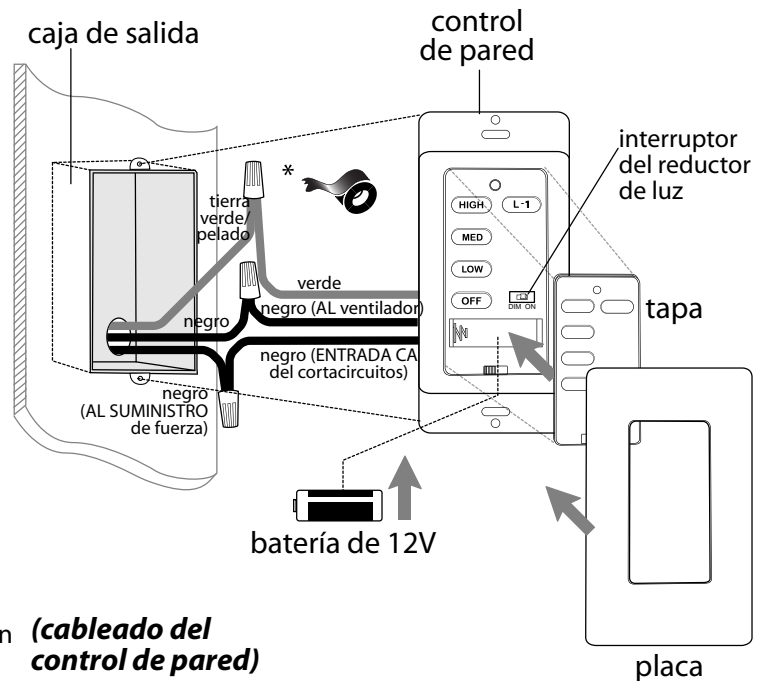
\* Como una medida de seguridad adicional, envolver cada conector para cable con cinta aisladora. Delicadamente meter los cables y los conectores para cable que tienen cinta dentro de la caja de salida.

Instalar 1 batería de 12 voltios (incluida) en el control de pared.

**IMPORTANTE:** El control de pared no funcionará sin que se instale la batería.

Ya que este ventilador viene con bombillas incandescentes, el interruptor del reductor de luz (etiquetado **DIM** y **ON**) está programado de antemano en posición "ENCENDIDO" (**DIM**). Si no desea tener la capacidad de bajar la luz, favor de mover el interruptor a la posición "APAGADO" (**ON**).

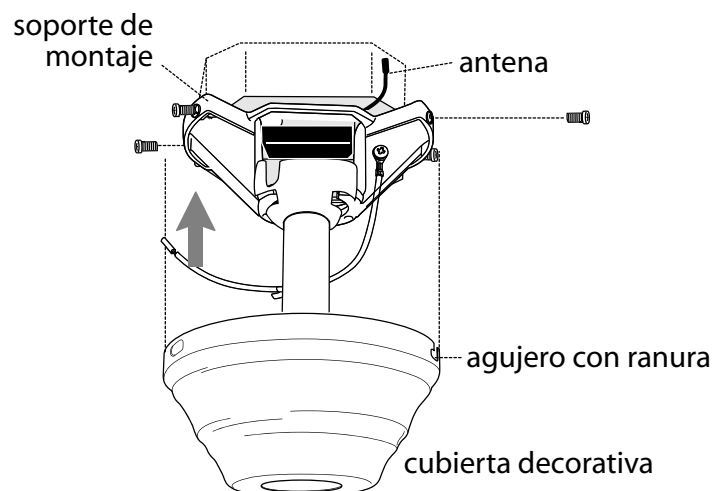
Escoger una tapa (color almendra o blanca) y apretarla fijamente en la parte delantera del control de pared. Sujetar el control de pared a la caja de salida y asegurarlo con los tornillos del interruptor de pared original. Sujetar la placa (incluida) al control de pared usando los 2 tornillos provistos con el control de pared.



## 7. Colocación de la cubierta decorativa.

Subir la cubierta decorativa al soporte de montaje y alinear los agujeros con ranura en la cubierta decorativa con los tornillos aflojados en el soporte de montaje. Girar la cubierta decorativa para cerrarla. Introducir los tornillos (junto con las arandelas de estrella) que se quitaron anteriormente (en la página 3, sección 4) en los otros agujeros y apretar bien todos los tornillos con destornillador de estrella Phillips.

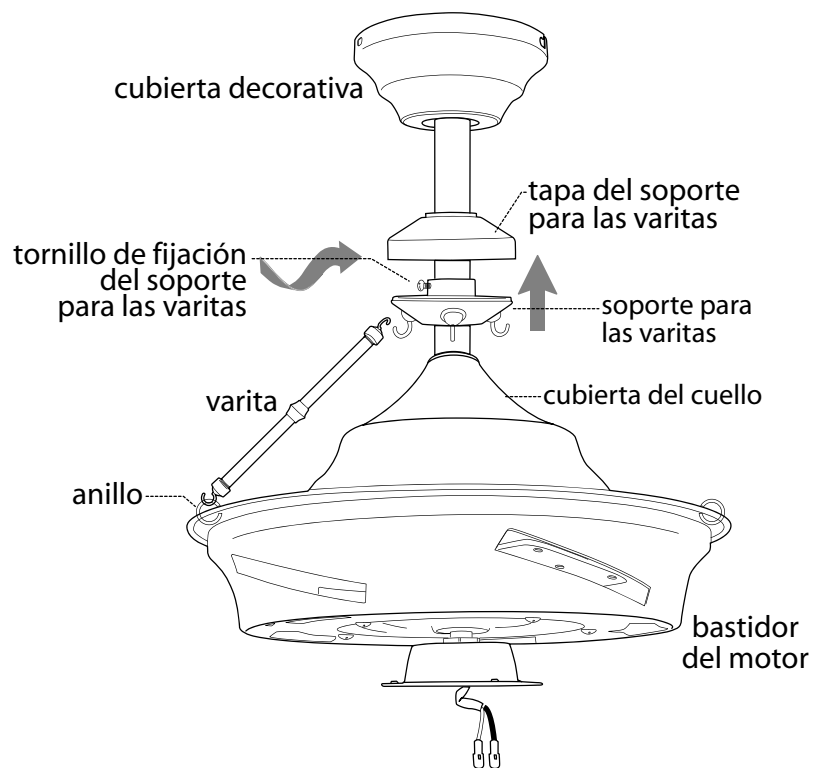
\*Recordar que la antena del receptor del control remoto debe quedar *fuera* del soporte de montaje.



## 8. Ensamblaje del soporte para las varitas.

Enganchar una extremidad de la varita en el anillo en el bastidor del motor. Ajustar el soporte para las varitas en el extremo superior de la varita para mantener la varita en su posición correcta y luego apretar el tornillo de fijación del soporte para las varitas. Dejar que la tapa del soporte para las varitas se apoye en el soporte para las varitas.

Instalar las demás varitas entre el bastidor del motor y el soporte para las varitas. Si las varitas se caen fácilmente, ajustar el soporte para las varitas de nuevo (ajustando el tornillo de fijación del soporte para las varitas de nuevo como se describe más arriba) con las varitas ya instaladas.

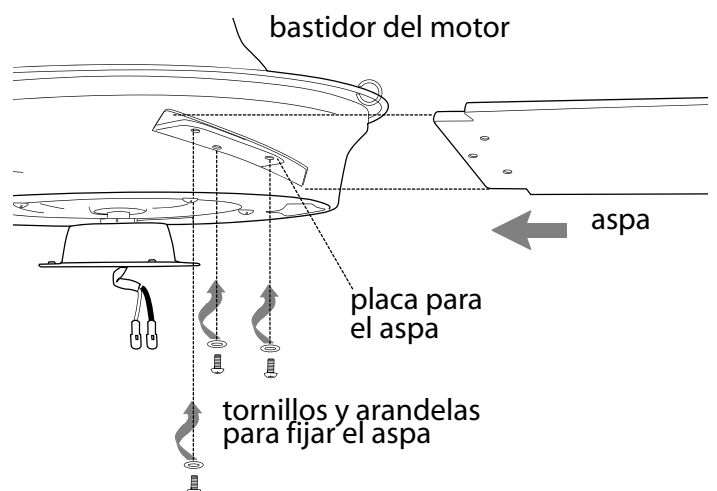


## 9. Colocación de las aspas.

**Para ahorrar tiempo:** Se pueden poner las arandelas en los tornillos que son para las aspas antes de colocar las aspas.

Localizar los 15 tornillos y arandelas que se usan para fijar las aspas en uno de los paquetes de artículos de ferretería. Meter el aspa en una de las aberturas en el bastidor del motor (*favor de observar el lado del aspa que indique **ESTE LADO HACIA ARRIBA***), luego alinear los agujeros en el aspa con los agujeros en la placa para el aspa que se encuentra **dentro** del bastidor del motor. Introducir 3 tornillos para fijar las aspas (junto con las arandelas) desde el *lado inferior* del bastidor del motor. Apretar los tornillos bien con destornillador de estrella Phillips. Repetir el procedimiento con las demás aspas.

**Nota:** Apretar los tornillos para los brazos para el aspa dos veces al año.



## 10. Instalación del juego de luz.

Quitar 1 tornillo de la placa de conexión (en la parte inferior del bastidor del motor) y aflojar los otros 2 tornillos.

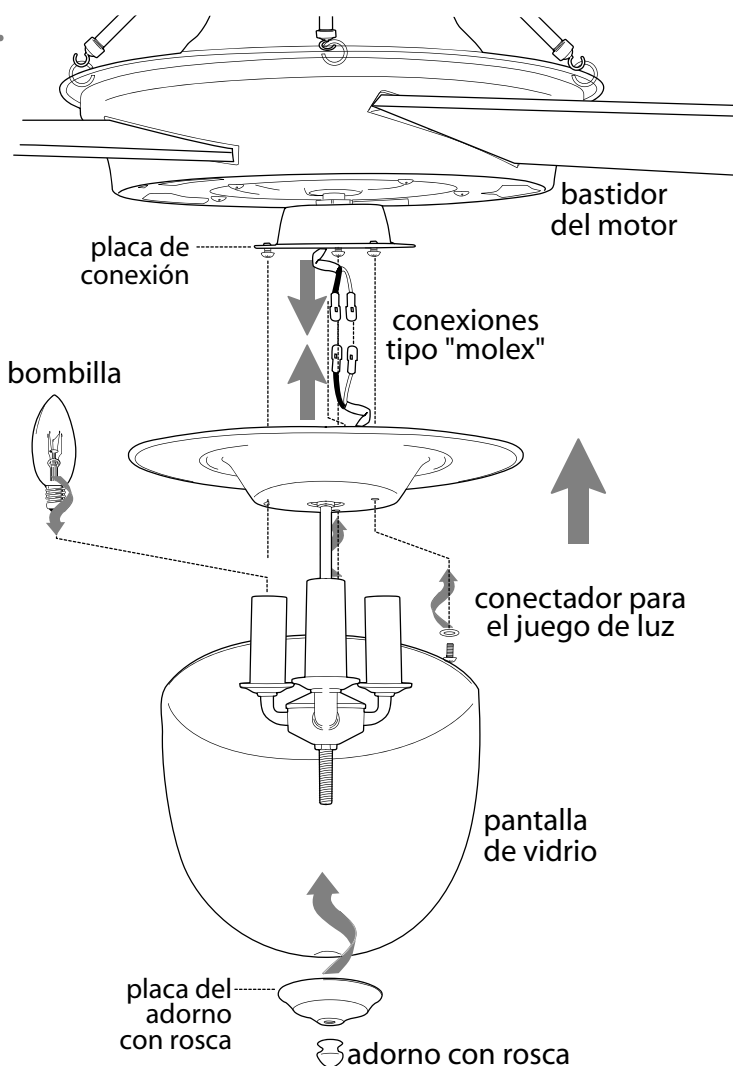
Conectar el cable **BLANCO** del conector para el juego de luz al cable **BLANCO** del bastidor del motor. Conectar el cable **NEGRO** del conector para el juego de luz al cable **NEGRO** (o **AZUL**) del bastidor del motor. Asegurarse de que las conexiones tipo "molex" se cierren bien con un clic.

Alinear los agujeros que tengan ranura en el conector para el juego de luz con los tornillos aflojados en la placa de conexión; girar el conector para el juego de luz para cerrarlo. Volver a introducir el tornillo que se quitó anteriormente y apretar bien los 3 tornillos.

Instalar 3 bombillas de base candelabro de 40 vatios máx. (incluidas).

**Importante:** Cuando necesite reemplazar las bombillas, dejar que se enfríen las bombillas y la pantalla de vidrio antes de tocarlas.

Alinear el agujero en la pantalla de vidrio con la varilla roscada en el conector para el juego de luz y con cuidado empujar hacia arriba hasta que pase la varilla roscada por el agujero. Alinear el agujero de en medio de la placa del adorno con rosca con la varilla roscada y empujar hacia arriba. Asegurar la pantalla de vidrio con el adorno con rosca. *NO apretarlo demasiado ya que el vidrio se puede rajarse o romper.*



## 11. Ensamblaje del control remoto de mano.

PARA PODER UTILIZAR EL CONTROL REMOTO DE MANO, FAVOR DE SEGUIR CON LA SECCION 11 para armar el control remoto. Si ya se instaló el control de pared pero **no** desea utilizar el control remoto de mano, favor de pasar a la sección 12.

Con cuidado separar la cubierta del control remoto, despegando la parte superior de la inferior. [Referirse al **diagrama 1**.]

Para utilizar el control de pared como control remoto de mano, cortar cada cable en el control de pared (que no se usó anteriormente)--usar cortaalambres para cortar cada cable para que se quede tan corto como sea posible. [Referirse al **diagrama 2**.]

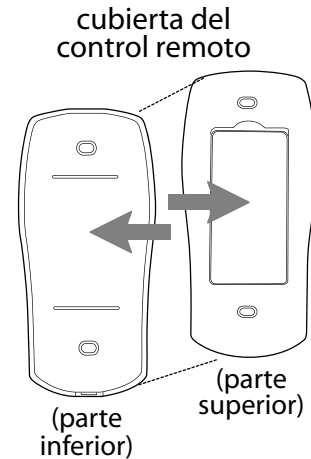
Instalar 1 batería de 12 voltios (incluida) en el control de pared. [Referirse al **diagrama 2**.]

El interruptor del reductor de luz (etiquetado **DIM** y **ON**) está programado de antemano en posición "ENCENDIDO" (**DIM**). Si no desea tener la capacidad de bajar la luz, favor de mover el interruptor a la posición "APAGADO" (**ON**). [Referirse al **diagrama 2**.]

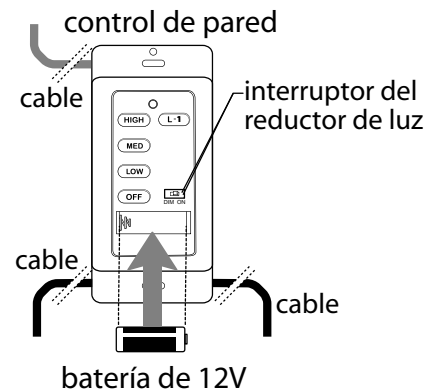
Fijar la **tapa negra** a la parte delantera del control de pared; apretar la tapa fijamente. [Referirse al **diagrama 3**.]

Alinear los agujeros en el control de pared con los postes que se encuentran *adentro de* la parte SUPERIOR de la cubierta del control remoto y apretar fijamente. Colocar el control de pared dentro de la parte INFERIOR de la cubierta del control remoto, alineando los postes en la parte superior de la cubierta del control remoto con los agujeros para los postes en la parte inferior. [Referirse al **diagrama 3**.] (**NOTA:** Asegurarse de alinear los extremos más angostos de la cubierta del control remoto antes de cerrarla.) Apretar la parte superior e inferior de la cubierta del control remoto hasta que se oiga un "clic" en cada extremo, lo cual indicará que se haya cerrado completamente la cubierta del control remoto.

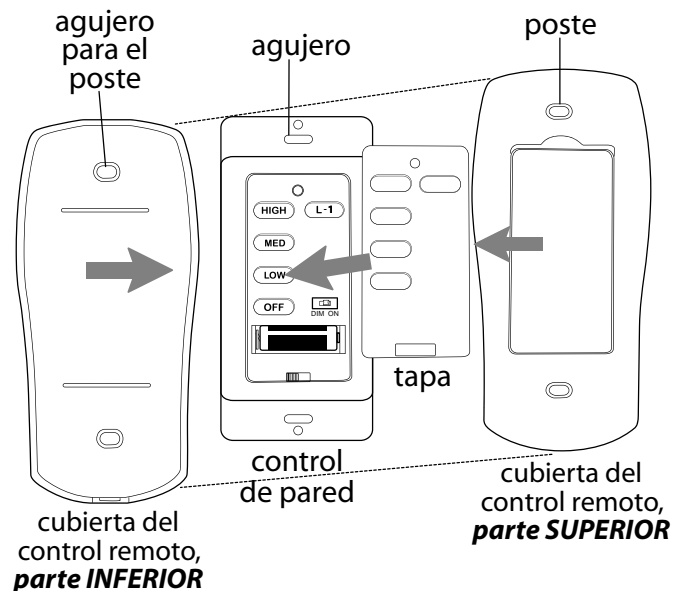
**IMPORTANTE:** Guardar el control remoto lejos del calor excesivo o la humedad. Para prevenir daño al control remoto, sacar la batería si no se va a utilizar el control remoto por un tiempo extendido.



**diagrama 1**



**diagrama 2**



**diagrama 3**

## 12. Proceso de aprendizaje automático./El activar el código.

**PRECAUCION:** Se puede programar el control de pared/control remoto de mano para usar con varios receptores o ventiladores. Si no desea hacer esto, apagar el interruptor de cualquier otro receptor o ventilador programable.

Conectar la electricidad y luego, si se instaló el control de pared, poner el interruptor corredero en el control de pared en posición ON (encendido). Dentro de 60 segundos de haber prendido el control de pared, oprimir el botón **OFF** del ventilador por 5 segundos o hasta que la luz parpadee dos veces.

**Cortar la corriente de nuevo por 5 segundos como mínimo** y luego volver a conectar la electricidad. Dentro de 60 segundos de haber conectado la electricidad, oprimir el botón **OFF** del ventilador por 5 segundos en la parte de enfrente del control remoto de mano o hasta que la luz parpadee dos veces.

Poner a prueba las funciones de luz y ventilador para confirmar que se haya terminado el proceso de aprendizaje--verse la sección 14 a continuación.

## 13. Funcionamiento del control remoto.

Interruptor corredero **ON / OFF** - ENCIENDE y APAGA el *control de pared* (el interruptor no funciona en el control de mano)

Botón **HIGH** - pone el *ventilador* en velocidad ALTA

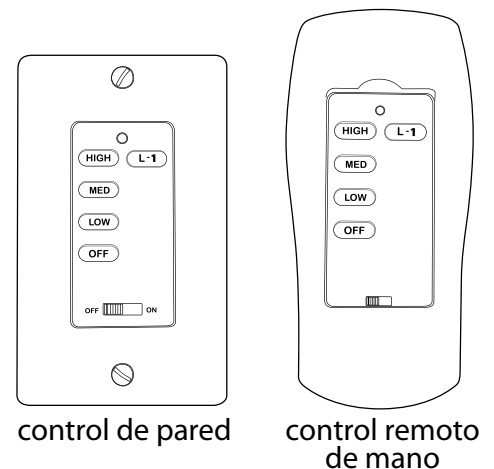
Botón **MED** - pone el *ventilador* en velocidad MEDIA

Botón **LOW** - pone el *ventilador* en velocidad BAJA

Botón **OFF** - APAGA el *ventilador*

Botón **L1** - ENCIENDE/APAGA el *juego de luz* cuando se oprime el botón una vez; al oprimir el botón y mantenerlo oprimido, se convierte en reductor de luz el *juego de luz*

Botón **REV** - se usa para CAMBIAR la dirección de las aspas (hay que poner el ventilador en posición *baja* antes de poner el ventilador en reversa)



## 14. Verificación del funcionamiento del ventilador.

Se le recomienda poner el ventilador a prueba antes de terminar la instalación. Regresar la corriente de electricidad en el corta-circuitos y el interruptor de la luz (si aplica). Poner a prueba el control de pared (instalación opcional) localizando el interruptor corredero de APAGADO y ENCENDIDO en el control de pared, luego ponerlo en posición de ENCENDIDO (ON). Poner a prueba la luz y la función del reductor de luz y después las velocidades del ventilador. Luego, localizar el control remoto de mano. Poner a prueba la función de luz de APAGADO y ENCENDIDO con el botón L1; poner a prueba el funcionamiento del reductor de luz oprimiendo el botón L1 por más de 1 segundo. Verificar las velocidades del ventilador con los diferentes botones de velocidad. Si el control de pared/control remoto de mano maneja todas las funciones de ventilador y luz, se ha instalado bien la batería. Si el control de pared y/o el control remoto de mano no controla(n) todas las funciones del ventilador/la luz, favor de referirse a la sección "Localización de fallas" para resolver cualquier asunto antes de comunicarse con el Servicio al cliente.

Apagar el ventilador completamente *antes* de mover el interruptor de reversa (localizado debajo de la cubierta del cuello en el bastidor del motor). (**diagrama 1**) Regularlo para que se circule bien el aire dependiendo de las estaciones del año.

- posición IZQUIERDA en verano (**diagrama 2**)

- posición DERECHA en invierno (**diagrama 3**)

Un ventilador de techo le permitirá subir el termostato en verano y bajarlo en invierno sin notar una diferencia en su comodidad.

**Importante:** Hay que mover el interruptor de reversa o *completamente* hacia la *IZQUIERDA* o *completamente* hacia la *DERECHA* para que funcione el ventilador. Si el interruptor de reversa está puesto en la posición de en *medio* (**diagrama 3**), no funcionará el ventilador.

**NOTA:** Si el control de pared/control remoto de mano interfiere con otros aparatos, repetir las instrucciones de la sección 12 más arriba.

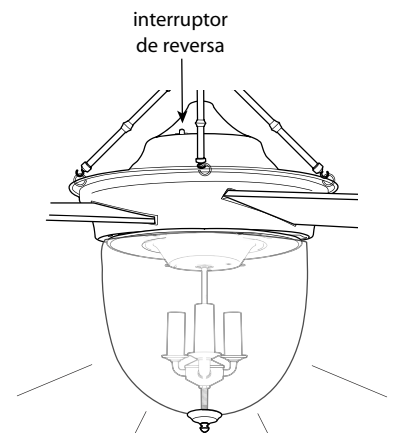


diagrama 1

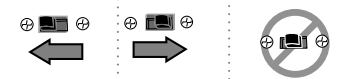


diagrama 2 : diagrama 3 : diagrama 4

## Localización de fallas.

**ADVERTENCIA:** *El no desconectar el suministro de fuerza eléctrica antes de hacer localización de fallas para cualquier problema de instalación eléctrica puede causar lesiones graves.*

**Problema:** El ventilador no funciona.

**Soluciones:**

1. Inspeccionar el interruptor de pared del ventilador/control de pared.
2. Verificar la instalación eléctrica del control de pared (uso opcional).
3. Verificar la instalación eléctrica del ventilador.
4. Es posible que no tuvo éxito el proceso de aprendizaje entre el ventilador, el control remoto de mano y, si se aplica, el control de pared y que no se activó el código. Desconectar la electricidad y repetir las instrucciones de la sección 12 (página 10).
5. Averiguar que la luz roja se prende en el control remoto de mano cuando se oprima un botón, lo cual significa que sirve la batería.

**Problema:** El juego de luz no se ilumina.

**Soluciones:**

1. Inspeccionar el interruptor de pared del ventilador/control de pared.
2. Verificar que se instaló correctamente la bombilla.
3. Verificar que se hizo correctamente la conexión de cables en la cubierta decorativa.
4. Asegurarse de que se conectaron bien las conexiones tipo "molex" en el conector para el juego de luz.
5. Es posible que no tuvo éxito el proceso de aprendizaje entre el ventilador, el control remoto de mano y, si se aplica, el control de pared y que no se activó el código. Desconectar la electricidad y repetir las instrucciones de la sección 12 (página 10).

**Problema:** El ventilador funciona pero la luz no.

**Soluciones:**

1. Verificar que se instaló correctamente la bombilla.
2. Verificar que se hizo correctamente la conexión de cables en la cubierta decorativa.
3. Reemplazar una bombilla defectuosa con el mismo tipo de bombilla.
4. Asegurarse de que se conectaron bien las conexiones tipo "molex" en el conector para el juego de luz.

**Problema:** No funcionan el ventilador ni la luz con el control de pared/control remoto de mano.

**Soluciones:**

1. Averiguar la carga de la batería en el control remoto de mano.
2. Es posible que no tuvo éxito el proceso de aprendizaje entre el ventilador, el control remoto de mano y, si se aplica, el control de pared y que no se activó el código. Desconectar la electricidad y repetir las instrucciones de la sección 12 (página 10).
3. Si se está usando el control de pared opcional, verificar si aún sirve la batería en el control de pared.

**Problema:** No funciona la fuente de luz (luz superior, luz inferior o ambas).

**Solución:**

El aparato que sirve para limitar el vatiage ha interrumpido la corriente eléctrica que va a la fuente de luz. Asegurarse de que las bombillas en la fuente de luz no sumen más de 190W.

**Problema:** El ventilador se tambalea.

**Soluciones:**

1. Usar el juego para balancear las aspas incluido en uno de los paquetes de artículos de ferretería. *Si no se incluye un juego para balancear las aspas, llamar al Servicio al cliente, 1-800-486-4892, para pedir uno.*
2. Averiguar que se apretó (apretaron) bien el (los) tornillo(s) de fijación en el cuello del bastidor del motor.
3. Averiguar que se apretó bien el tornillo de fijación en la bola que sirve para colgar.

## Garantía.

GARANTIA LIMITADA DE POR VIDA DE

CRAFTMADE/ELLINGTON:

CRAFTMADE/ELLINGTON garantiza este ventilador al comprador original de grupo familiar para uso interior con las siguientes condiciones:

**GARANTIA DE 1 AÑO:** CRAFTMADE/ELLINGTON reemplazará o reparará cualquier ventilador que tenga funcionamiento deficiente debido a defectos en los materiales o trabajo manual. Comunicarse con el Servicio al Cliente de CRAFTMADE/ELLINGTON al **1-800-486-4892** para acordar el reenvío del ventilador. Devolver el ventilador, con los gastos de envío propagados, a Craftmade/Ellington. Nosotros repararemos o reemplazaremos el ventilador y pagaremos los gastos de envío de regreso.

**GARANTIA DE 5 AÑOS:** CRAFTMADE/ELLINGTON reemplazará o reparará sin costo al comprador original, cualquier motor de ventilador que no funcione de manera satisfactoria a causa de uso normal.

**DEVOLVER EL MOTOR SOLAMENTE,** los gastos de envío propagados, a Craftmade/Ellington. Nosotros repararemos el motor al comprador o le enviaremos uno de reemplazo y Craftmade/Ellington pagará los gastos de envío de regreso. **GARANTIA LIMITADA DE 6 AÑOS hasta DE POR VIDA:** CRAFTMADE/ELLINGTON reparará el ventilador, sin costo al comprador original por el coste laboral, si el motor del ventilador no funciona satisfactoriamente a causa del uso normal. Las piezas que se utilizan en hacer la reparación serán facturadas al comprador a los precios prevalecientes en el momento de la reparación.

El comprador original será responsable de todos los gastos incurridos en sacar, reinstalar y enviar el producto para reparación.

Esta garantía no se aplica cuando el ventilador tenga daños por abuso mecánico, físico, eléctrico o por agua resultando en su mal funcionamiento. Se exenta específicamente el deterioro en el acabado u otras partes debido al tiempo o exposición al aire marino bajo esta garantía.

Ni Craftmade/Ellington ni el fabricante se harán responsables por lo que pasa por una instalación inadecuada o el uso impropio de este producto. La compañía no se hará responsable en ningún caso de ningún daño emergente por incumplimiento de esta o cualquier otra garantía expresada o implicada en absoluto. Esta limitación de daños emergentes no se aplicará en estados donde es prohibido.

## Piezas de repuesto.

Para piezas o información, referirse al

"Inventario de piezas" en la página 2.

Servicio al cliente de Craftmade/Ellington:

**1-800-486-4892**

[www.craftmadebrands.com](http://www.craftmadebrands.com)

**ELLINGTON**  
CEILING FANS by Craftmade