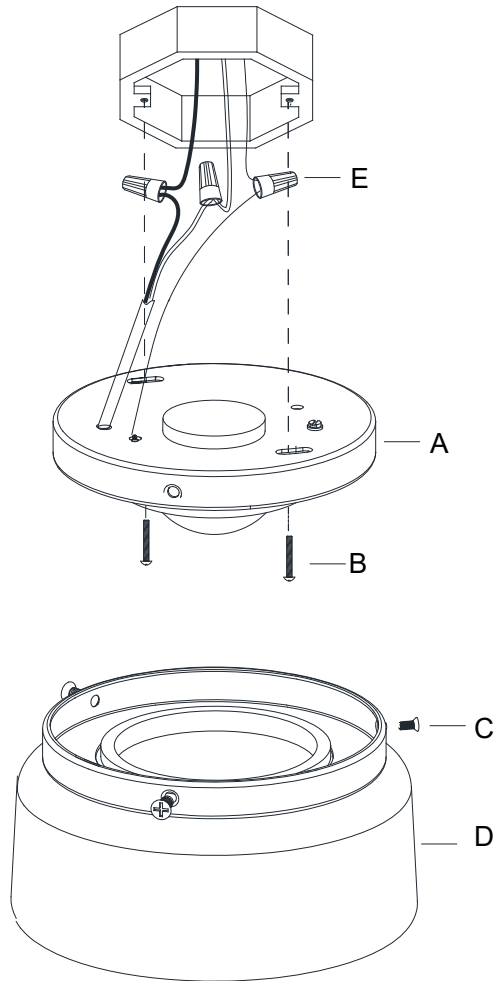


ASSEMBLY INSTRUCTIONS



Halo Petite Flush Mount

Item # BBL 4092

WE RECOMMEND INSTALLATION OF THIS LIGHTING FIXTURE BE DONE BY A LICENSED ELECTRICIAN.

WARNING*SWITCH OFF THE MAIN ELECTRICAL SUPPLY FROM THE MAIN FUSE BOX/CIRCUIT BREAKER BEFORE INSTALLATION.**

INSPECT ITEM CAREFULLY BEFORE ATTEMPTING TO INSTALL. IF THERE IS ANY DAMAGE OR OBVIOUS DEFECT. DO NOT INSTALL.

ITEM MAY NOT BE RETURNED ONCE IT HAS BEEN INSTALLED.

NOTE: CAREFULLY UNPACK EACH PIECE IN TOP LAYER OF PACKING PRIOR TO REMOVING. RETAIN ALL PACKING MATERIAL UNTIL INSPECTION AND INSTALLATION ARE FINAL

1. Carefully remove all parts from the carton.
2. Remove the fixture body (A) from the fixture shade (D) by removing the side screws (C).
3. Connect the fixture ground wire to the house ground wire with the wire nut (E).
IT IS IMPERATIVE THAT THIS FIXTURE BE GROUNDED.
4. Connect the fixture white wire to the house neutral wire with the wire nut (E).
5. Connect the fixture black wire to the house hot wire with the wire nut (E).
DO NOT REVERSE THE HOT AND NEUTRAL CONNECTIONS OTHERWISE SAFETY WILL BE COMPROMISED.
6. Tuck the wire connections neatly into the junction box.
7. Attach the fixture body (A) to the junction box with the mounting screws (B) provided.
8. Attach the fixture shade (D) to the fixture body (A) and secure with the side screws (C).
9. Installation is complete, turn on power at fuse or circuit breaker.

*** Clean with a dry, soft cloth only. Use no harsh abrasives or chemical agents.