

## ASSEMBLY INSTRUCTIONS

### Palati Extra Large Linear Chandelier

Item # IKF 5446

#### NOTICE:

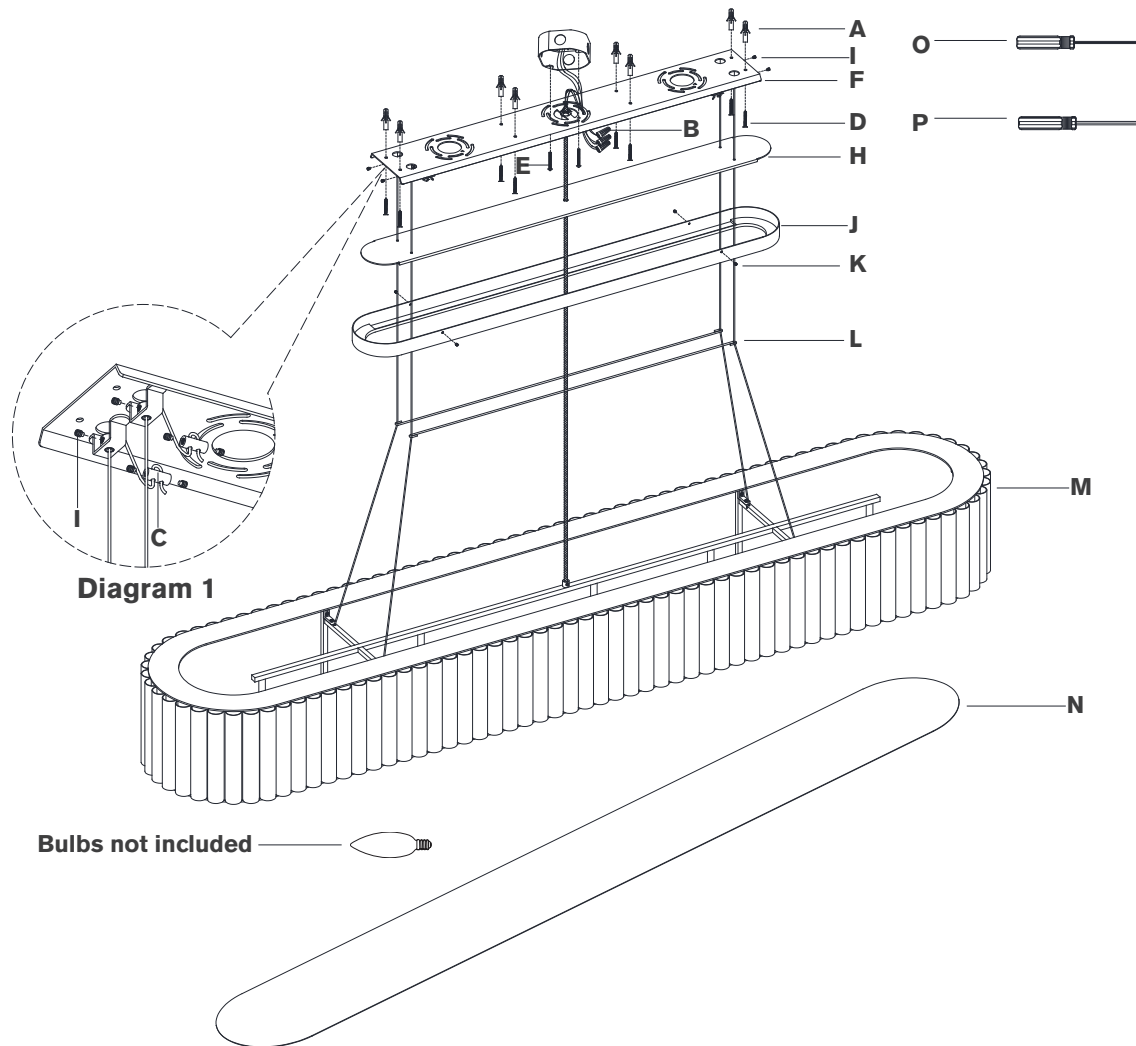
This light fixture should be installed in accordance with all applicable, local installation codes, and by a person familiar with the construction and operation of it, as well as the hazards involved. Inspect item and contents carefully. If any damage or defect is found, do not install. Retain all packaging material until installation is complete and approved.

#### TOOLS REQUIRED (NOT INCLUDED):

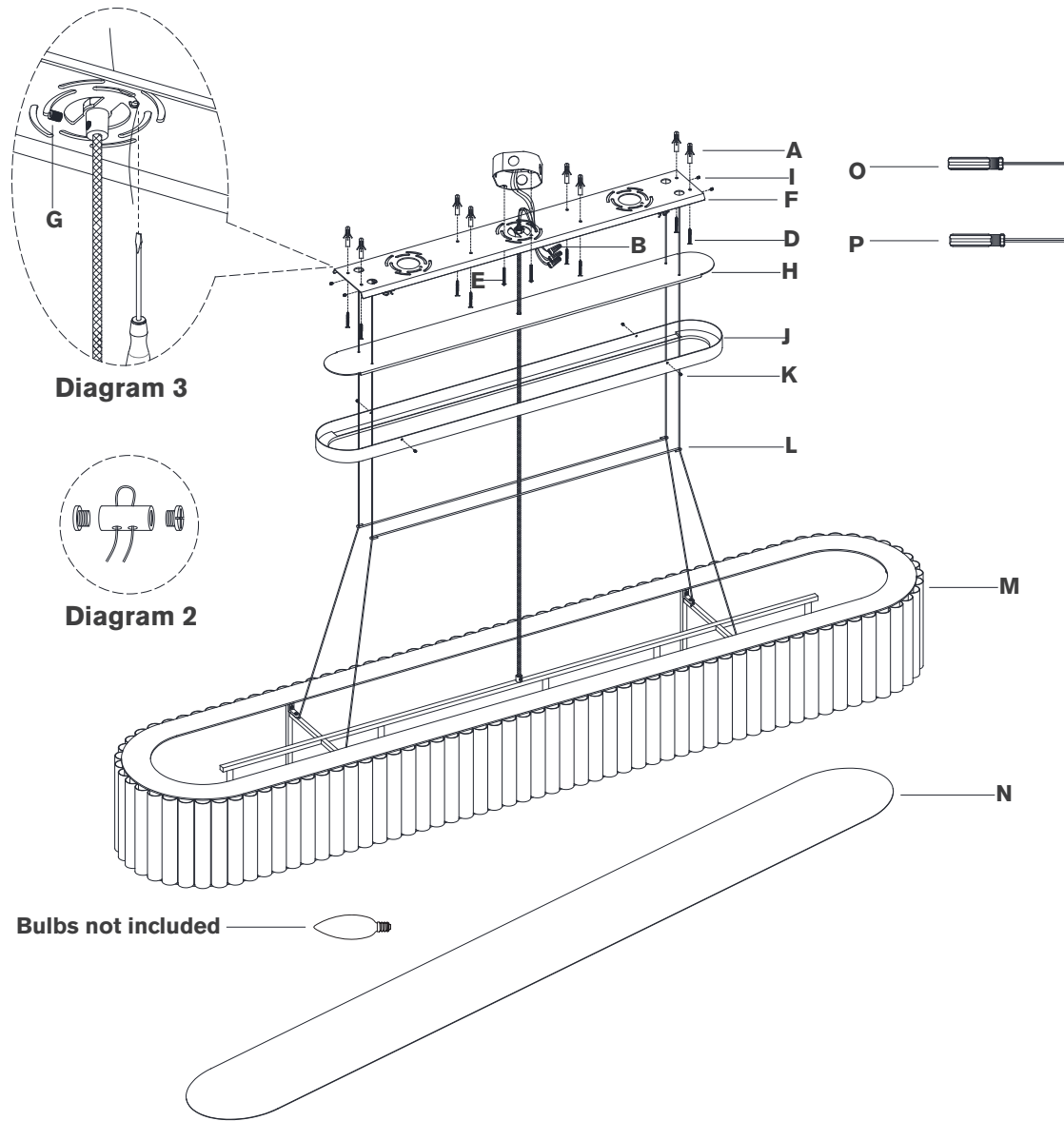
Phillips Screwdriver	Slotted Screwdriver	Wire Cutters
Wire Strippers	Pencil	Hammer
Drill		

#### PERSONS REQUIRED: Two

- Carefully remove all parts from the box. Place on a clean, soft surface.
  - Remove mounting plate **(F)** and metal plate **(H)** from canopy **(J)** by removing canopy screws **(K)** using provided screwdriver **(O)**.
  - Using mounting plate **(F)** as a guide, line up with the junction box and mark anchor positions.
  - Using a drill bit slightly smaller than the anchor, drill holes in the marked positions. Install anchors **(A)** into the holes using hammer.
  - Install mounting plate **(F)** to junction box and secure with mounting screws **(E)**, then secure wood screws **(D)** to anchors **(A)**.
  - Loosen set screws **(I)** on four hangers located on mounting plate **(F)**, using provided screwdriver **(P)**. See diagram 1.
- NOTE:** It is recommended to have a helper assist in supporting the fixture for steps 7.
- With helper supporting fixture body weight, route four hanging cables and electrical cable through canopy **(J)** and metal plate **(H)**, then install hanging cables to hangers on mounting plate **(F)** and secure with set screws **(I)**. Adjust hanging cables to desired height as needed.
- NOTE:** To remove cable tension and temporarily support canopy, install support rods **(L)** underneath canopy as shown on line diagram.



## ASSEMBLY INSTRUCTIONS



## Palati Extra Large Linear Chandelier

Item # IKF 5446

### NOTICE:

This light fixture should be installed in accordance with all applicable, local installation codes, and by a person familiar with the construction and operation of it, as well as the hazards involved. Inspect item and contents carefully. If any damage or defect is found, do not install. Retain all packaging material until installation is complete and approved.

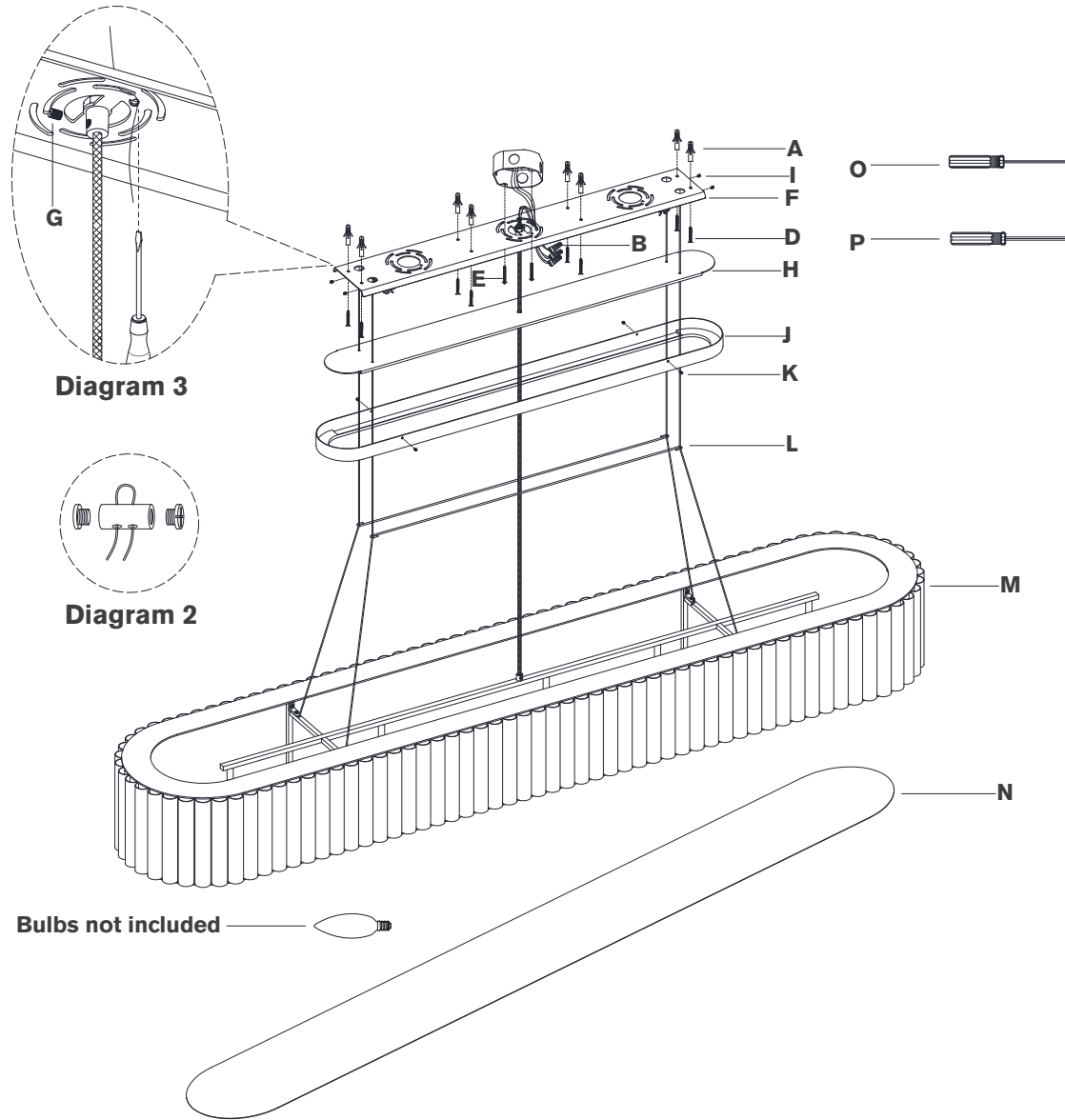
8. Loosen cable locks and install to end of four hanging cables. Insert other end of cables through the cable lock and tighten ends with a screwdriver to secure. See diagram 2.
9. Loosen set screw (**G**), then route electrical cable through collar on center of mounting plate, then back through hole of mounting plate and cut cord. Make sure to leave enough wire for junction box connection.
10. Remove outer housing of wire by making a neat cut all the way around, about 1" from the end. Once cut is made, remove and discard the 1" piece of housing, exposing the electrical wires.
 

**NOTE:** Make sure not to cut too deep into housing or electrical wires could become damaged.
11. Wrap fixture ground wire (bare copper) around the green grounding screw (see diagram 3). Tighten. Continue fixture ground wire and connect to supply ground wire (usually green or bare copper) using wire nut (**B**).
 

**NOTE:** It is imperative that the fixture is grounded.
12. Connect fixture neutral wire (white) to the supply neutral wire (usually white) using wire nut (**B**).
13. Connect fixture hot wire (black) to the supply hot wire (usually black) using wire nut (**B**).
 

**CAUTION:** Do not reverse the hot and neutral connections.
14. Make sure all wire connections are tight, then carefully tuck into the junction box.

## ASSEMBLY INSTRUCTIONS



## Palati Extra Large Linear Chandelier

Item # IKF 5446

### NOTICE:

This light fixture should be installed in accordance with all applicable, local installation codes, and by a person familiar with the construction and operation of it, as well as the hazards involved. Inspect item and contents carefully. If any damage or defect is found, do not install. Retain all packaging material until installation is complete and approved.

15. Install metal plate (**H**) and canopy (**J**) to mounting plate (**F**) and secure with canopy screws (**K**) using provided screwdriver (**O**), then remove canopy support rods (**L**).
16. Place diffuser (**N**) into shade from the bottom.
17. Insert bulbs into the sockets.

**Care Instructions:** Clean only with a soft dry cloth or feather duster. Do not use abrasive or chemical agents.