



# LIMITED LIFETIME WARRANTY

Model No.: F0106 F0107

## ORIGINAL VAXCEL CEILING FAN LIMITED LIFETIME WARRANTY

The limited lifetime warranty covers this fan, for residential use by the original purchaser, against defects in material or workmanship as follows:

If your fan motor fails at any time during the lifetime of the original purchaser due to defects in material or workmanship, we will provide a replacement part free of charge.

If your fan motor fails at any time within one year after the original date of sale to the original purchaser due to defects in material or workmanship, we will provide labor to repair the defect, with the exception of take down/reinstallation, free of charge. The original purchaser will be responsible for all labor costs after this one year period.

If no replacement parts are provided for any part of your fan motor that fails at any time during your lifetime due to defects in material or workmanship, we will refund the original purchase price of your fan.

If your fan blades, or any accessory, except glass globes and light bulbs, fails at any time within one year after the original date of purchase due to a defect in material and workmanship, we will repair or, if we choose, replace the defective blades, switch, or accessory free of charge, with the exception of take down/reinstallation services.

If the original purchaser ceases to own the fan, this warranty and any implied warranty, including but not limited to any implied warranty of merchantability or fitness for a particular purpose, become void. This warranty and any implied warranty, including but not limited to any implied warranty of merchantability or fitness for a particular purpose, do not cover glass globes, light bulbs, or finish on any metal portions of the fan.

This warranty is in lieu of express warranties. The duration of any implied warranty of merchantability or fitness for a particular purpose, with respect to any fan motor, blades, switch, or accessories, is expressly limited to the period of the express warranty set forth above for such motor, blades, switch, or accessories.

This warranty excludes defects, malfunctions, or failures of any fan that are caused by repairs by persons not authorized by us, use of parts or accessories not authorized by us, mishandling, improper installation, modifications or damage to the fan while in your possession, or unreasonable use, including failure to provide necessary maintenance.

In no event shall VAXCEL be liable for consequential or incidental damages.

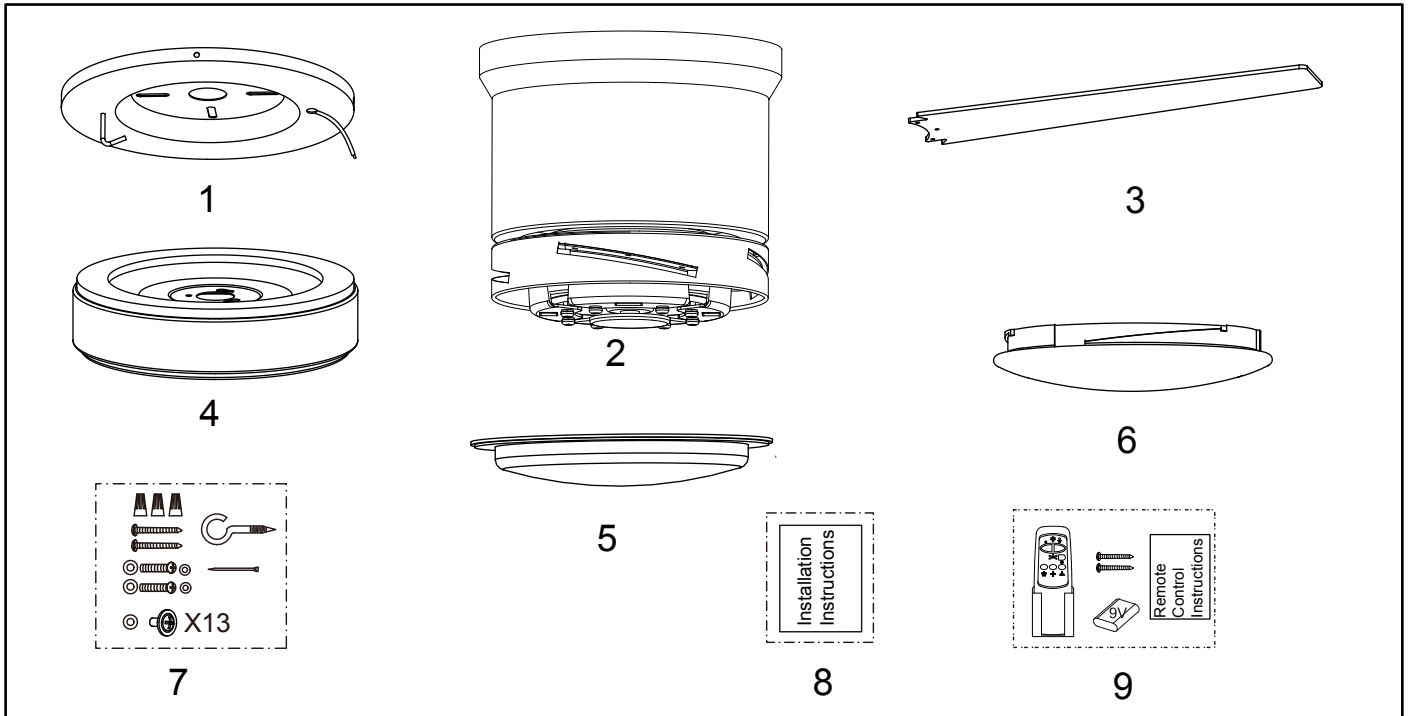
Some states do not allow the exclusion or limitation of consequential or incidental damages, in which case the above limitation or exclusion may not apply.

This warranty gives you specific legal rights and you may also have other rights which vary from state to state.



220407

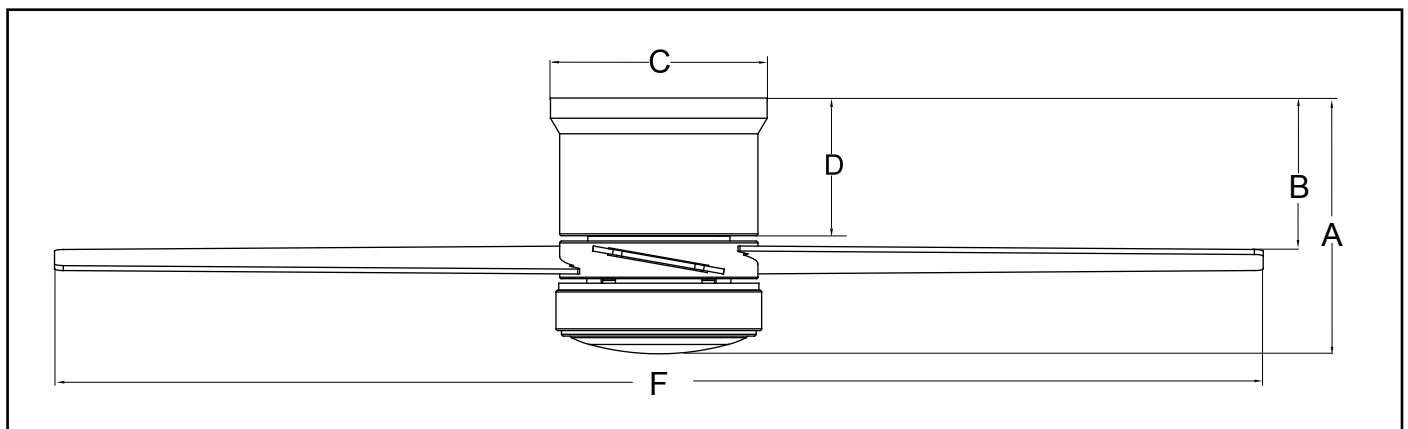
## Package Contents:



Unpack your fan and check the contents. You should have the following items.

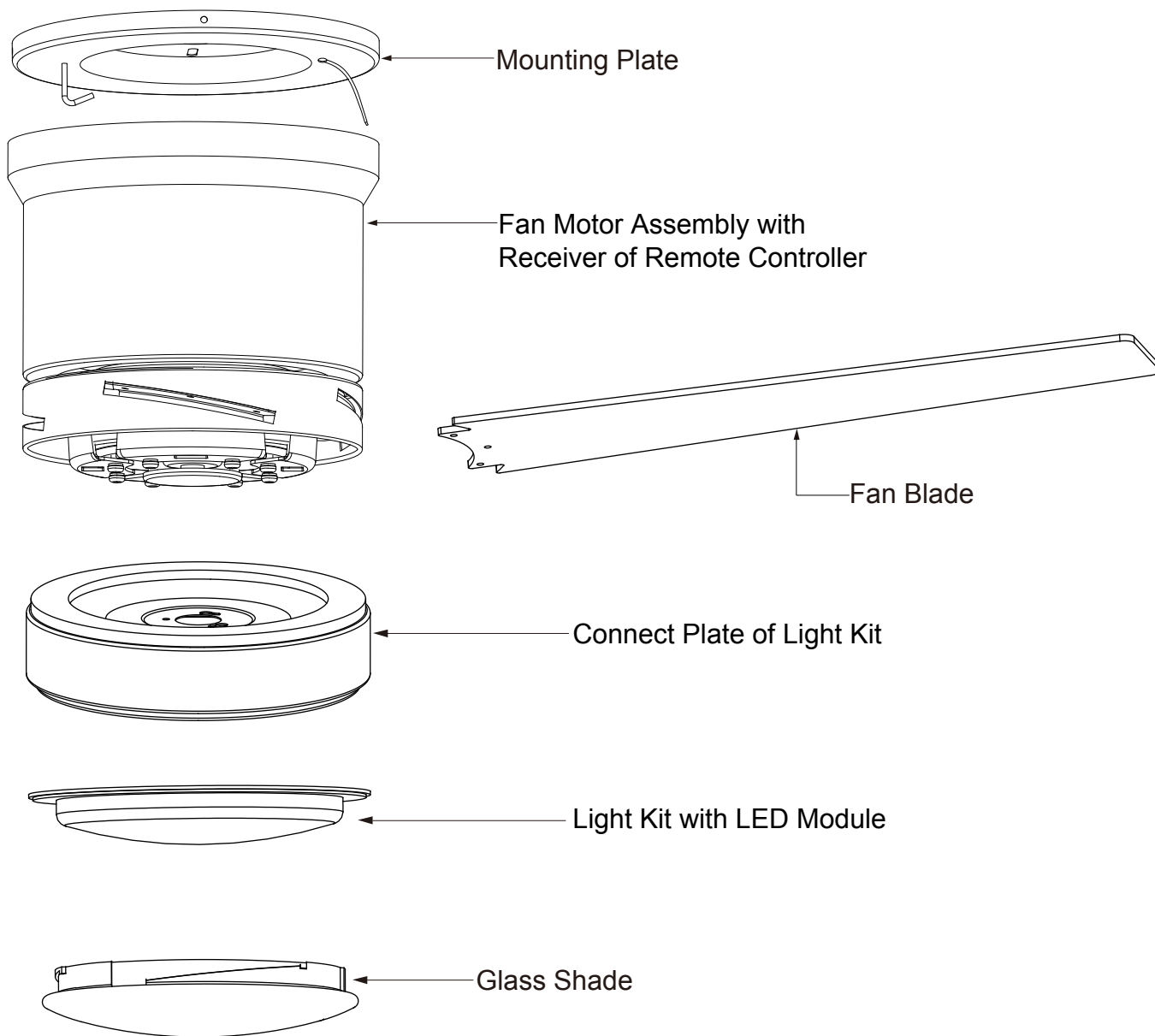
- 1.) Mounting Plate
- 2.) Fan Motor Assembly with Receiver of Remote Controller
- 3.) Fan Blades (4 PCS)
- 4.) Connect Plate of Light Kit
- 5.) Light Kit with LED Module
- 6.) Glass Shade
- 7.) Assembly Kit
- 8.) Installation Instructions
- 9.) Remote Control Set (Includes Transmitter & Battery & Screws & Remote Control Instructions)

## Dimension Reference:



A. 11" B. 7-1/2" C. 9-1/2" D. 6" F. 52"

## Exploded View Detail



## Safety Instructions

READ ALL SAFETY INFORMATION AND INSTALLATION INSTRUCTIONS BEFORE YOU BEGIN TO INSTALL THE FAN AND SAVE INSTRUCTIONS.

- All set screws of the fan must be checked and retightened where necessary before installation.
- To reduce the risk of personal injury, do not bend the blade brackets when installing the brackets, balancing the blades or cleaning the fan. Do not insert foreign objects between rotating fan blades.
- Before changing the fan direction, turn off the fan and wait for the fan blades to stop completely.
- The safeguards provided by these safety instructions and by the separate installation instructions are not meant to cover all possible conditions and situations that may occur. It must be understood that common sense, caution and care are factors which can not be built into this product. These factors must be supplied by the person(s) installing, caring for and operating the fan.

### WARNING

- TO AVOID RISK OF ELECTRIC SHOCK, BE SURE TO SHUT OFF POWER AT THE MAIN FUSE OR CIRCUIT BREAKER BOX BEFORE INSTALLING OR SERVICING THIS FIXTURE. TURNING OFF THE ELECTRICAL POWER BY USING THE LIGHT SWITCH IS NOT SUFFICIENT TO PREVENT ELECTRICAL SHOCK.
- TO REDUCE THE RISK OF INJURY, INSTALL THE FAN SO THAT THE BLADES ARE AT LEAST 7 FEET (2.1 METERS) ABOVE THE FLOOR AND AT LEAST 18 INCHES (0.5 METERS) FROM THE TIP OF THE BLADES TO THE WALL.
- TO REDUCE THE RISK OF FIRE, ELECTRIC SHOCK, OR PERSONAL INJURY, MOUNT TO OUTLET BOX MARKED "ACCEPTABLE FOR FAN SUPPORT" AND USE MOUNTING SCREWS PROVIDED WITH THE OUTLET BOX.
- THE INSTALLATION HAS TO BE IN ACCORDANCE WITH THE NATIONAL ELECTRICAL CODE, ANSI/NFPA 70-1999 AND LOCAL CODES. IF YOU ARE UNFAMILIAR WITH THE METHODS OF INSTALLING ELECTRICAL WIRING, SEEK THE SERVICES OF A QUALIFIED LICENSED ELECTRICIAN.

# INSTALLATION INSTRUCTIONS

## IMPORTANT:

- BEFORE YOU BEGIN INSTALLING THE FAN, CAREFULLY READ ALL INFORMATION IN THE SEPARATE SHEET "SAFETY INSTRUCTIONS" AS WELL AS THE FOLLOWING "INSTALLATION INSTRUCTIONS". IF IN DOUBT, CONSULT A QUALIFIED ELECTRICIAN.
- SAVE ALL INSTRUCTIONS.

NOTE: The fan weight is 15.65 lbs (7.1 kg). Be sure the outlet box you are using is securely attached to the building structure and can support the full weight of the fan. Failure to do so can result in serious injury.

## Installation Steps :

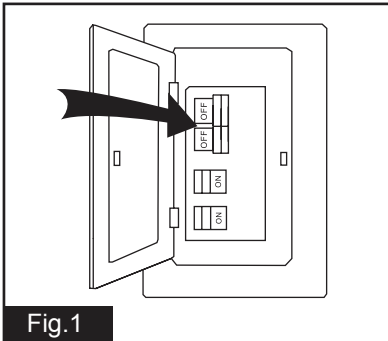


Fig. 1

Turn OFF the electric power at the main fuse or circuit breaker box.

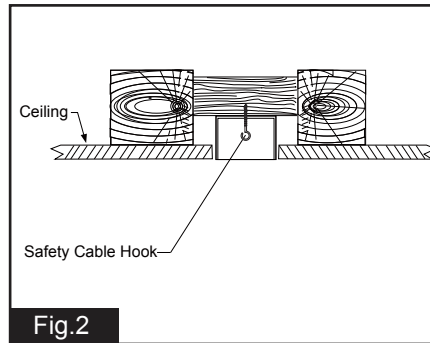


Fig. 2

Screw the safety cable hook to the ceiling outlet box. **(Make sure the outlet box is securely installed so that it will be able to support at least the fan weight.)**

Pull the wires from outlet box through the center hole of mounting plate. Attach the mounting plate to the outlet box by using two washers and mounting screws.

**WARNING: MOUNT ONLY TO AN OUTLET BOX MARKED "ACCEPTABLE FOR FAN SUPPORT"!**

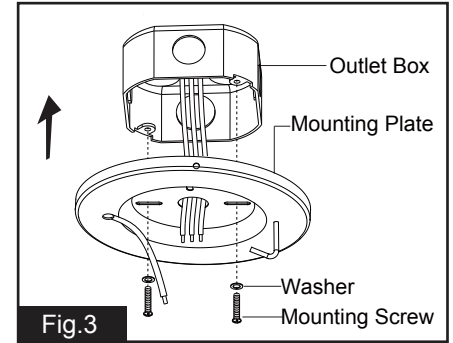


Fig. 3

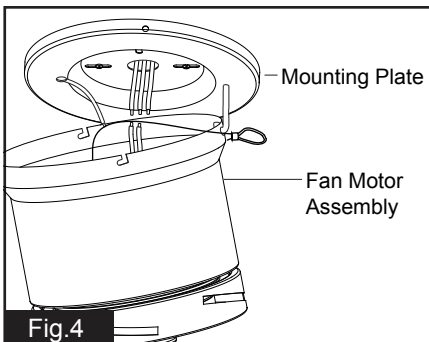


Fig. 4

Left fan motor assembly and hang on mounting plate with hook provided, through one of the two holes in canopy. This will allow for hands-free wiring. **CAUTION: Use only a side with hole in canopy, not hook slot.**

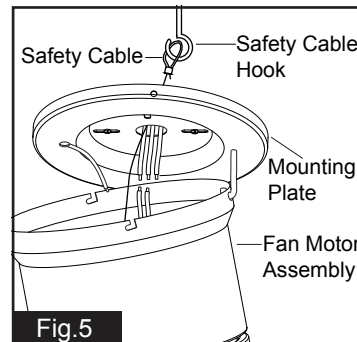


Fig. 5

Pull the safety cable out of fan motor assembly and through the center hole of mounting plate, then hang it into the safety cable hook.

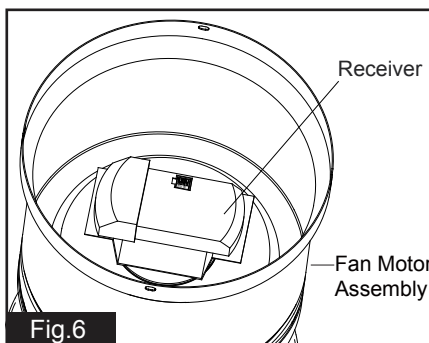


Fig. 6

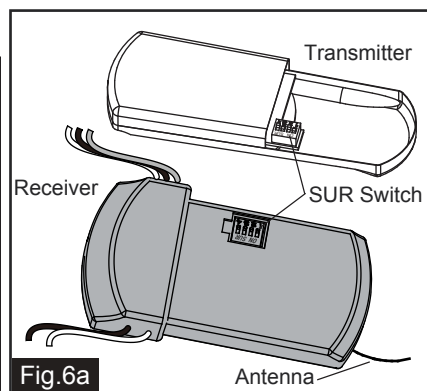
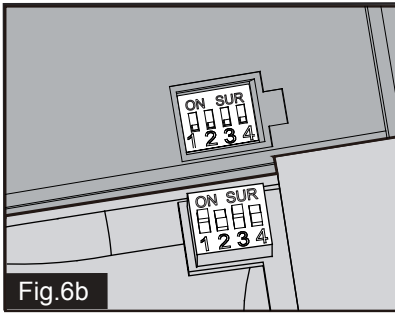


Fig. 6a

Both the transmitter and receiver have a 4-key unit code on each SUR Switch (Fig.6) and by default, all keys are pre-set to the "off" position. This means that the transmitter and receiver are already paired together. However, if you have multiple fans and remote controls and want to avoid interference between them, you can "pair" other transmitters and receivers together by adjusting the SUR switches, so the same numbered keys are in the "ON" position on both (Fig.6b).

**Note: The ceiling fan may work abnormally if there is interference from other remote controls.**



Code example:

1-ON 2-OFF 3-ON 4-OFF on both SUR Switches.

**Note: If you have two ceiling fans with 2 remote control units, set 2 different codes for each set of transmitter / receivers.**

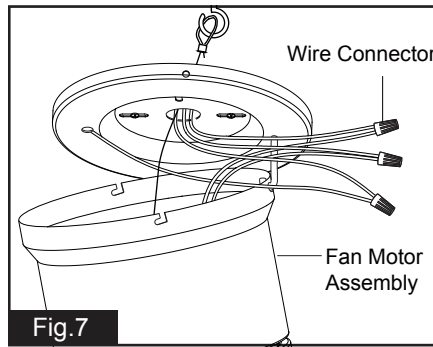


Fig.7

Make wire connections:

- 1). The white motor wire to the white wire from the outlet box with a wire connector.
- 2). The black motor wire to the black wire from the outlet box with a wire connector.
- 3). The ground wire from the outlet box to the ground wire from the mounting plate with a wire connector.

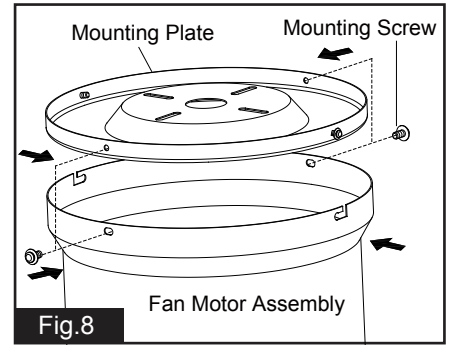


Fig.8

There are four mounting plate screws and lock washers. Remove two screws and lock washers from the mounting plate (one from each side) and loosen the other two remaining screws. Align the "L shaped" slots of the canopy with the two remaining screws on the mounting plate and push the motor assembly upwards to engage the slots and turn clockwise to lock in place. Tighten the screws and install the other two mounting plate screws and lock washers into the remaining holes of the canopy and tighten.

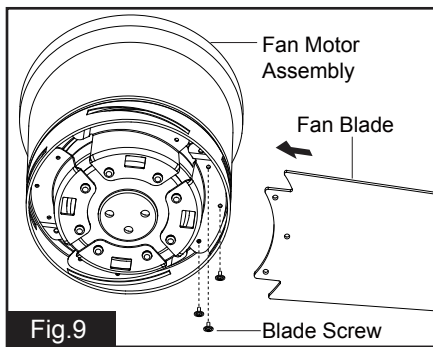


Fig.9

Insert the fan blade through the slot on the fan motor assembly and fasten fan blade to the fan motor assembly with screws. Repeat for remaining fan blades.

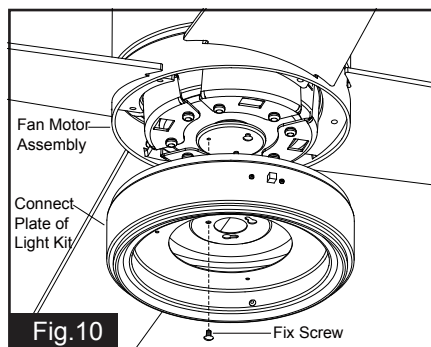


Fig.10

Remove one screw and loosen another two screws from fan motor assembly first, then thread the fan motor assembly wires through connect plate of light kit, then push the connect plate of light kit upwards until the fan motor assembly screws insert into the key hole slots of connect plate of light kit, then rotate the connect plate of light kit until it's fixed on the fan motor assembly bottom. Finally, secure the connect plate of light kit to the fan motor assembly bottom with previous screw which was removed. Tighten the other two fan motor assembly screws.

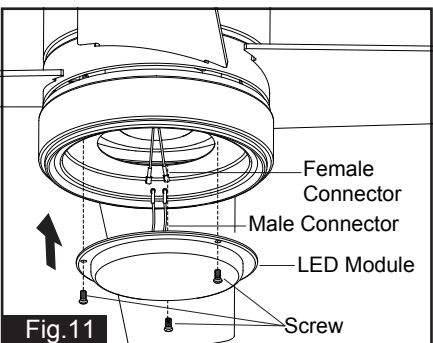


Fig.11

Remove three screws from connect plate of light kit first. Then connect the female terminals from fan motor assembly to male terminals from LED module. Connect the white (neutral) wire from the light kit to white(neutral) wire from connect plate of light kit; connect the blue (hot) wire from light kit to

blue (hot) wire from connect plate of light kit. Carefully put the wires into the connect plate of light kit, then attach the light kit onto the connect plate of light kit with the connect plate screws.

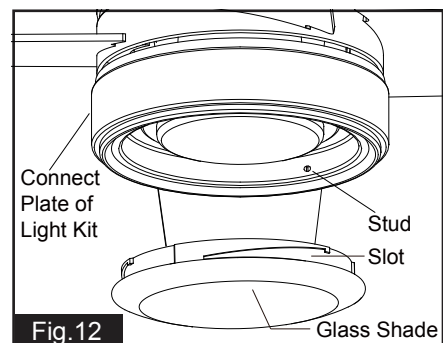
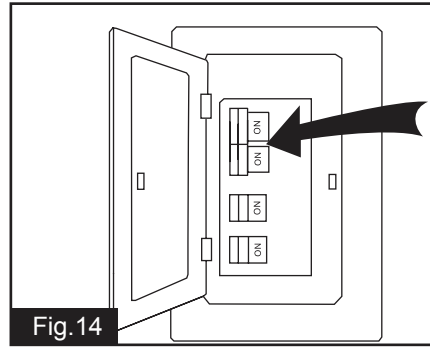
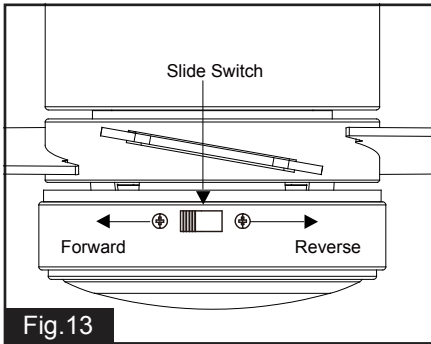


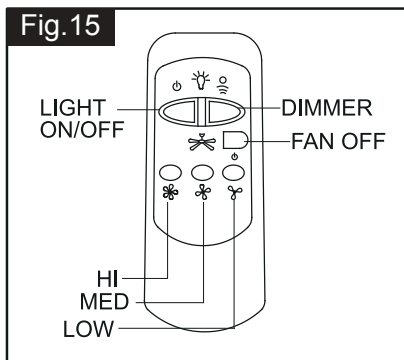
Fig.12

Attach the glass shade to the connect plate of light kit by aligning studs and slots, and then turn it clockwise until it is locked in place.



The slide switch on connect plate of light kit sets direction of fan rotation. Select the desired direction of fan rotation. Push the slide switch left for " Forward" and right for "Reverse".  
**Note: Wait for fan to stop before reversing the direction of blade rotation.**

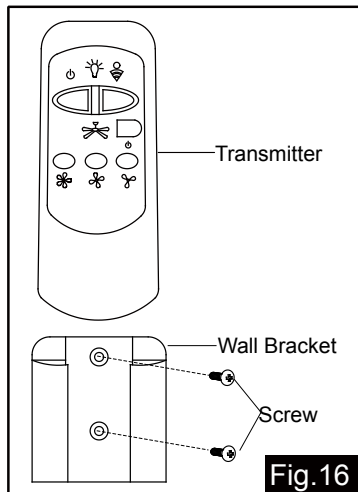
Turn ON the electric power at the main fuse or circuit breaker box.



- Install the battery (9V, included) into the transmitter.
- \* Press "HI" button to turn on the fan at high speed.
  - \* Press "MED" button to turn the fan in medium speed.
  - \* Press "LOW" button to turn the fan in low speed.
  - \* Press "FAN OFF" button to turn off the fan.
  - \* Press "LIGHT ON/OFF" button to turn on or turn off the light.
  - \* Press and hold the "DIMMER" button to dim or brighten lights to the desired level and release, and the brightness level will be memorized. Turn on the light again, then fan light will be restored to the brightness-level at which it was dimmed last time.

**Note:**

1. This remote controller has a memory function setting. The fan will operate at the same speed and the fan light will stay at the same brightness-level as the last time the power supply was turned off.
2. Compatible Wall Switch: Lutron SKU# S2-LFSQH-WH.



Install the transmitter wall bracket on the wall with two screws and place transmitter in it carefully.



## Troubleshooting Guide

If you have difficulty operating your new ceiling fan, it may be the result of incorrect assembly, installation or wiring. In some cases, these installation errors may be mistaken for defects. If you experience any faults, please check this Troubleshooting Guide. If a problem cannot be remedied or you are experiencing difficulty in installation, please call our Customer Service Department (1-800-482-9235).

PROBLEM	SUGGESTED REMEDY
1. If fan does not start:	<ol style="list-style-type: none"><li>1. Check main and branch circuit fuses or circuit breakers.</li><li>2. Check line wire connections to fan and switch wire connections in switch housing. <b>CAUTION: Make sure main power is turned off.</b></li><li>3. Make sure forward/reverse switch is firmly in left or right position. Fan will not operate when switch is in the middle.</li><li>4. Make sure that the wall control is turned "ON".</li></ol>
2. If fan sounds noisy:	<ol style="list-style-type: none"><li>1. Make sure all screws in motor housing are snug. (not too tight)</li><li>2. Make sure the screws which attach the fan blade bracket to the motor are tight.</li><li>3. Make sure wire connectors in switch housing are not rattling against each other or against the interior wall of the switch housing. <b>CAUTION: Make sure main power is turned off before accessing switch housing.</b></li><li>4. Some fan motors are sensitive to signals from Solid State variable speed controls. DO NOT USE a Solid State variable speed control.</li><li>5. Allow "break-in" period of 24 hours. Most noises associated with a new fan will disappear after this period.</li></ol>
3. If fan wobbles:	<p>All blades are weighed and grouped by weight. Natural woods vary in density which could cause the fan to wobble even though all blades are weight-matched. The following procedures should eliminate most of the wobble. Check for wobble after each step.</p> <ol style="list-style-type: none"><li>1. Check that all blades are screwed firmly into blade brackets.</li><li>2. Check that all blade brackets are tightened securely to motor.</li><li>3. Make sure that canopy and mounting bracket are tightened securely to ceiling junction box and junction box is mounted firmly to ceiling joist.</li><li>4. Most fan wobble problems are caused when blades are not equally level. To check the blade levels, select a point on the ceiling above the tip of any blade. Measure the distance from the ceiling to the blade tip, to an accuracy of 1/8 inch. Rotate the blades until the next blade is in the measuring position. Repeat measurement for each blade. If all blade levels are not equal, you can adjust blade levels by the following procedure. To adjust a blade tip down, insert a washer (not supplied) between the blade and blade bracket at the screw closest to the motor. To adjust a blade tip up, insert washer (not supplied) between the blade and blade bracket at the two screws farthest from the motor.</li><li>5. If blade wobble is still noticeable, interchanging two adjacent (side by side) blades can redistribute the weight and possibly result in smoother operation.</li></ol>
4. If light does not work:	<ol style="list-style-type: none"><li>1. Check blue wire from fan to make sure it is connected to hot wire from house.</li><li>2. Check for loose or disconnected wires in fan switch housing.</li><li>3. Check for loose or disconnected wires in light kit.</li><li>4. Check for faulty the LED module. <b>CAUTION: Make sure main power is turned off before accessing switch housing.</b></li></ol>