

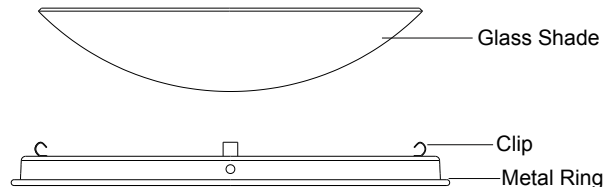
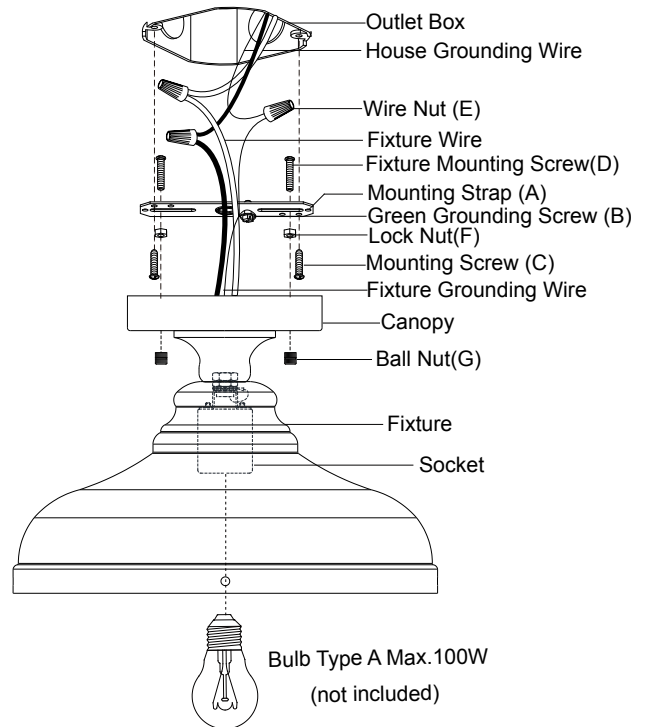
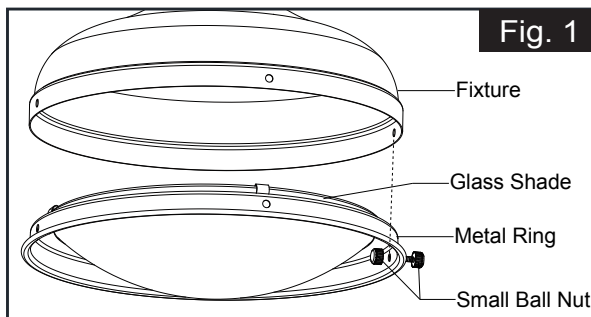
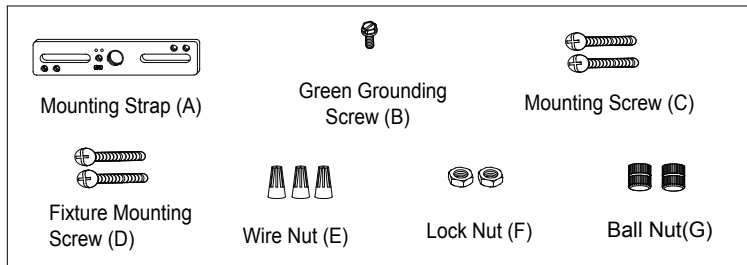
ASSEMBLY AND INSTALLATION INSTRUCTIONS

C0113

WARNING: TO AVOID RISK OF ELECTRICAL SHOCK, BE SURE TO SHUT OFF POWER BEFORE INSTALLING OR SERVICING THIS FIXTURE.

NOTES: 1. Before installing, consult local electrical codes for wiring and grounding requirements.
2. READ AND SAVE THIS INSTRUCTION.

Hardware Package (included):



Installation Steps



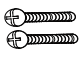
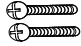



Turn off the power at fuse or circuit box.

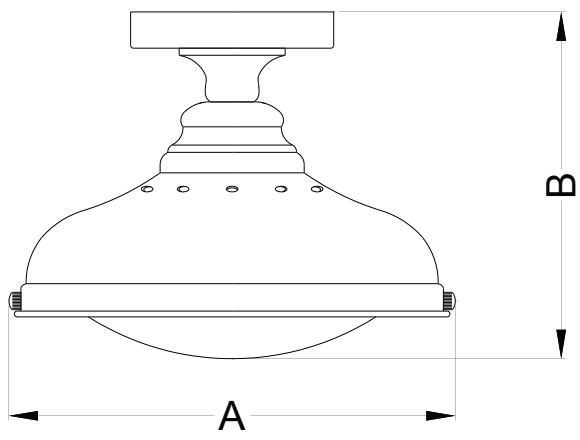
1. Thread the fixture mounting screws through mounting strap, and then secure them with two lock nuts. Adjust the length of fixture mounting screws if necessary.
2. Attach mounting strap to the outlet box using two mounting screws.
3. Install a bulb (not included). Check relamping label at socket area or packaging for maximum allowed wattage.
4. Take the glass shade and gently slide it into the metal ring in place, and then secure it by pressing three clips on top side of the metal ring.
5. Attach the metal ring to fixture, and then secure it with three sets of small ball nut. (See Fig. 1)
6. Pull out the source wires from the outlet box. Make wire connections using wire nuts as follows:
 - Connect the hot wire (usually black insulation) from the fixture to the black wire from the power source.
 - Connect the neutral wire (usually white insulation) from the fixture to the white wire from the power source.
 - Attach the fixture grounding wire (usually green insulation or bare wire) to mounting strap with the green grounding screw, and then connect it to the house grounding wire with the wire nut.Carefully put the wires back into the outlet box.
7. Attach the canopy to the mounting strap by inserting the fixture mounting screws, and then secure it with two ball nuts.

Turn on the power at fuse or circuit box.

The following parts are available for re-order if damaged or missing.

Spare Parts List:

 Mounting Strap (A)	 Green Grounding Screw (B)	 Mounting Screw (C)	→ Mounting Hardware 5464MM (1 SET)
 Fixture Mounting Screw (D)	 Wire Nut (E)	 Lock Nut (F)	
			 Glass Shade 9770SB(1PC)



A: 12-1/4"
B: 9-1/4"