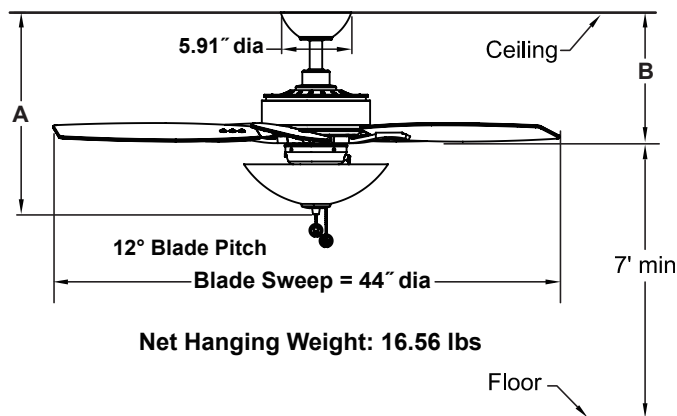


AIRE DELUXE™

FP6245B**
44" Ceiling Fan



	A	B
Fan w/4.5" downrod	17.36"	10.59"
Fan w/12" downrod	24.86"	18.09"
Fan w/18" downrod	30.86"	24.09"
Fan w/24" downrod	36.86"	30.09"
Fan w/36" downrod	48.86"	42.09"
Fan w/48" downrod	60.86"	54.09"
Fan w/60" downrod	72.86"	66.09"
Fan w/72" downrod	84.86"	78.09"

Available Finish	
BN	Brushed Nickel With Cherry/Dark Walnut Blade and Frosted White Glass
DZ	Dark Bronze With Cherry/Dark Walnut Blade and Frosted White Glass
GR	Matte Greige With Weathered Wood Blade and Frosted White Glass
MW	Matte White With Matte White Blade and Frosted White Glass

Airflow / Energy Efficiency Info (120V)					
Fan Speed	Max RPM	CFM	CFM / Watts	Amps	Watts
High	205	3941	73	0.45	54
Med	149	2820	103	0.33	27
Low	91	1721	163	0.21	11

Energy Guide FTC			
Power (W _{ave})	Total Air Delivery (CFM _{ave})	Estimated Yearly Energy Cost (\$)	Ceiling Fan Efficiency (CFM/W)
34	2900	9	86

Light Bulb Information (120V)					
Bulb Type	Watts	QTY	Lumens Amount	Color Temp	CRI
E26 / LED	9	2	1620	3000	90%

INSTALLATION REQUIREMENTS:

Ceiling fan attaches to electrical junction box securely anchored and capable of withstanding a load of at least 35 lbs.

ELECTRICAL REQUIREMENTS:

Ceiling fan requires a grounded electrical supply line of 120 volts AC, 60 Hz, 15 amp circuit.

MOTOR SPECS:

153 x 15 AC motor is designed for optimal performance with this fan.

BLADE SETS:

A set of five 17" reversible plywood blades is included.

CONTROL OPTIONS:

Three fan speeds pull chain control included. The reverse switch is located on the switch housing. Optional CWRL4** and WC2WH wall controls, BTR9, CRL4WH and CR500 remote controls with receiver unit and BTR9 and WFR50 receiver unit are available —sold separately. Instructions are provided with each control.

LIGHTING OPTIONS:

Two E26 9-watt LED bulbs included.

DOWNROD OPTIONS:

Fan comes with 1" dia. x 4.5" long downrod. Optional downrods available in 12", 18", 24", 36", 48", 60", and 72" lengths. A downrod coupler is available for installations requiring a downrod longer than 72". Fan must use 12" or longer downrod, and can be mounted on a sloped ceiling up to 19°. Most sloped ceiling installations require a downrod longer than the standard 4.5" downrod. Optional close-to-ceiling kit is available as well—sold separately. Optional sloped ceiling kits (SCK1-52) are available for up to 42°. Call technical support for more information.

LOCATION USE:

Fan is rated for dry locations only.