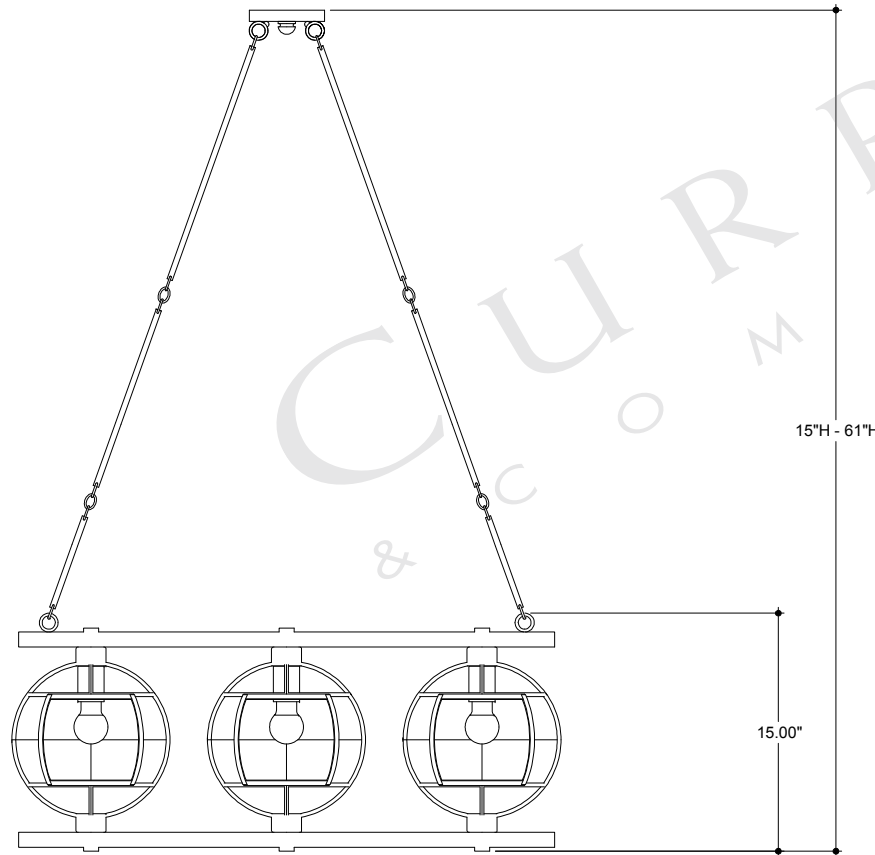
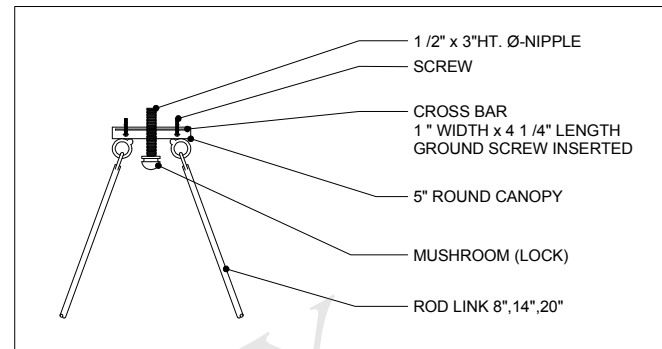
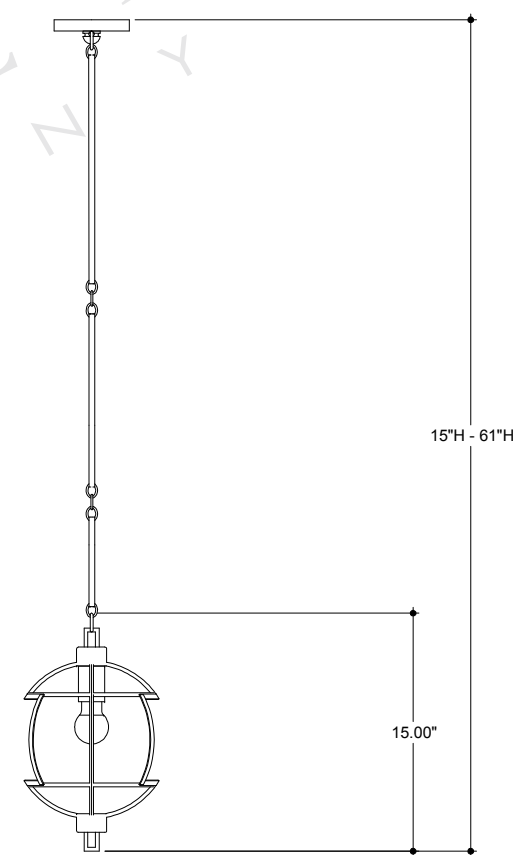


TOP VIEW



FRONT VIEW



LEFT VIEW

9354